



PT-PIS8PB2S-E-M-RS

DIN-Rail PoE Switch

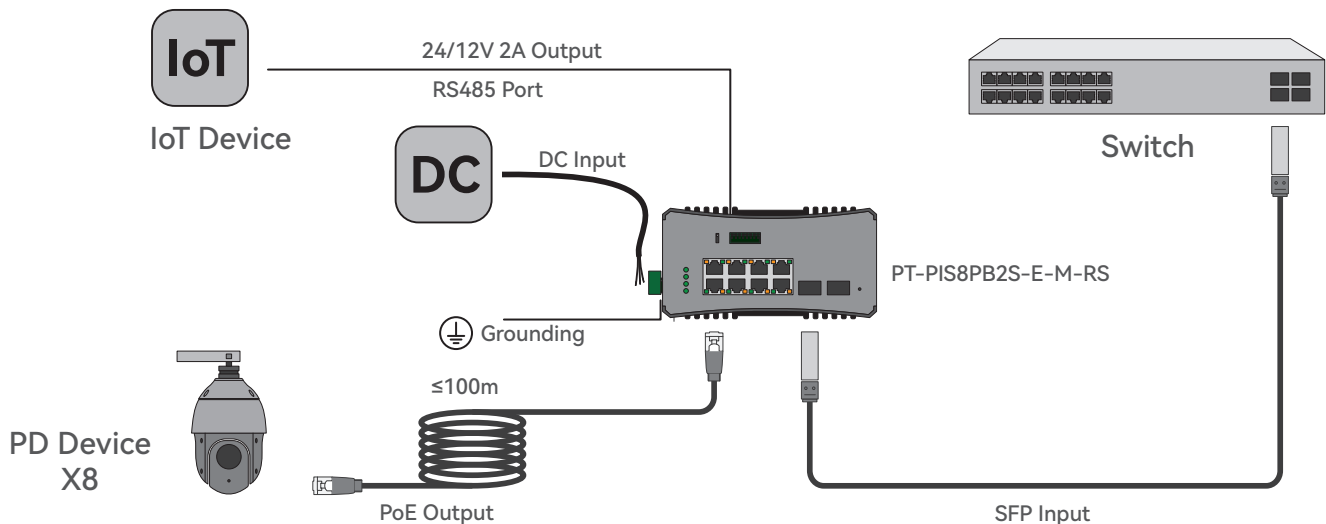
Product Introduction

This DIN-rail PoE switch includes two 2.5G/1G SFP ports and eight RJ45 ports, operating in -40°C to 65°C environments. It supports IEEE 802.3bt with up to 90W per port and total PoE power up to 360W at 48V input. PoE management features include remote control, power prioritization, and real-time monitoring.

It accepts 12V–55V input with boost technology, includes dual RS485 circuits for sensors, and offers a 12V/24V (2A) auxiliary output.

Layer 2 features like VLAN and port mirroring ensure stable data transmission. The compact DIN-rail design enables easy deployment in smart poles, transport systems, and energy sites.

Product Connection Diagram



Product Specification

Item	PT-PIS8PB2S-E-M-RS
Ports	DC IN*1 SFP*2 PoE*8 DC & 485 port*1 Grounding*1
PoE Standard	IEEE802.3af/at/bt Power over Ethernet
Input	12~55Vdc
DC Output	12/24Vdc 2A Max
PoE Output	55Vdc 1.64A 90W Max for Single Port
Power Pins	4/5(+),7/8(-) & 3/6(+),1/2(-)
Switching Mode	Store-and-forward
VLAN	Support 4095 VLAN IDs Support 802.1Q VLAN Support VLAN based on any combination of ports across multiple chips
Backplane Bandwidth	26Gbps
Network Protocols	IEEE802.3 Ethernet IEEE802.3u Fast Ethernet IEEE802.3ab Gigabit Ethernet IEEE802.3i/IEEE802.3u/IEEE802.3ab/IEEE802.3z IEEE802.3bz
Qos	Support high - speed, non - blocking four - traffic - class QoS structure
Op Temp	-40°C — 65°C
Op Humid	5%-90%, non-condensing
Op Alt	Up to 5000m
Stor Temp	-40°C — 85°C
Stor Humid	5%-95%, non-condensing
Enclosure	Aluminum alloy + Steel Support Plate
Installation	DIN-Rail mount
Protection	IP40
Size & Weight	153mm X 118mm(including the buckle 129.1mm) X 80mm(1671g)
Certification	

Model Comparison Chart

Item	PT-PIS8PB2S-E-M	PT-PIS8PB2S-E-M-RS
Data Rates	RJ45: 100/1000Mbps, SFP: 1000/2500Mbps	
Ports	DC IN*1 SFP*2 PoE*8 Grounding*1	DC IN*1 SFP*2 PoE*8 DC & 485 Port (2PIN DC port 12/24Vdc 2A adjustable, RS485 Port * 2)*1 Grounding*1
Input	12~55Vdc	
IP Rates	IP40	
Size & Weight	153mm X 118mm(including the buckle 129.1mm) X 80mm(1671g)	



**Creative Lianjie Network
Technology Co. Ltd**

Email: sales@cxlj.com.cn www.proctepoe.com