

Industrial 60W Managed SFP PoE Injector



PT-PSE107GBRO-A-S-M

Product Overview

PT-PSE107GBRO-A-S-M, a single port PoE Injector with Managed Ethernet function. Supports IEEE 802.1Q VLAN and port-based VLAN. We can access and manage the device via web browser, including IP configuration, port configuration, VLAN configuration, PoE configuration, device control, etc. We can also view device information such as switch status, port status, PoE status, etc. In addition, the PoE port enables remote control of the device' on/off and reset status.

This model has a 1000BASE-X SFP Interfaces, offers a unique solution to power long range installations, and its data input via the fiber. Equipped switch chipset inside enable it extends the distance between Ethernet data source and powered devices by an additional 100 meters. With an extender, the distance will get longer.

The PoE output port delivers 55V/1.5A power for remote PD via full 4 pairs with 6KV surge protection at 10/100/1000Mbps of data speed. It complies to IEEE802.3af/at/bt standard making it compatible with PoE, PoE+, PoE++ devices, such as wireless APs, IP cameras, base stations, gateways, and other high-power Ethernet backhaul devices.

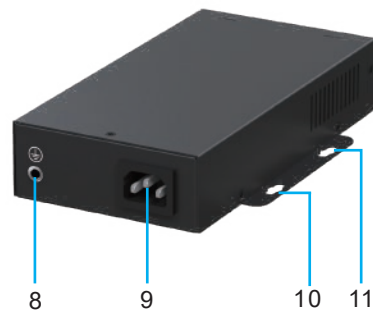
Industrial design, it can be used for outdoor application under -40 °C to +65 °C after covered with waterproof case. It works with wide input voltage among 100-240Vac. Auto-negotiate 802.3af/at/bt PoE powered device, no worry about powering a non-standard device. It works like a switch, the data is interoperable among LAN port, PoE port and SFP port.

Product Profile



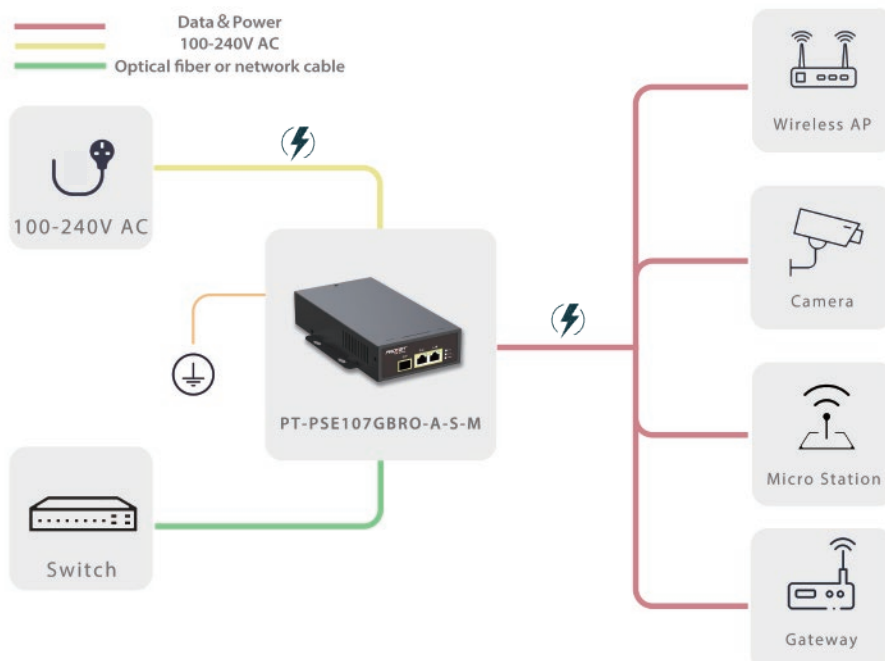
1. SFP fiber port
2. PoE port
3. Link/ACT indicator LED
4. LAN port

5. SFP fiber LED
6. PoE indicator LED
7. Power indicator LED
8. Earth terminal



9. AC input port
10. Mounting hole
11. Mounting hole

Product Working Diagram



Specification

Standard

- IEEE802.3 10Base-T Ethernet
- IEEE802.3u 100Base-Tx Fast Ethernet
- IEEE802.3ab 1000Base-T Gigabit Ethernet
- IEEE802.3z 1000Base-X
- IEEE802.3af/at/bt Power over Ethernet standard
- IEEE802.1Q VLAN
- WEEE Compliant,CE/FCC

Input & Output

- Input :100-240Vac 1.5A 50/60Hz
- Output: 55Vdc 1360mA
- Power Pins: 4/5(+), 7/8(-) and 3/6(+),1/2(-)
- Data Speed: 10/100/1000BASE-T RJ45 Interfaces
1000BASE-X SFP Interfaces

Working Environment

- Operating Temperature: -40℃ to 65℃
- Operating Humidity: 20% to 80%, non-condensation
- Storage Temperature: -40℃ to 85℃
- Storage Humidity: 10% to 90%, non-condensation
- Operating Altitude: up to 5000meters

AC Surge Protection

- Line-Earth 1.2/50us (8/20us): 6KV
- Line-Line 1.2/50us (8/20us): 4KV

PoE Surge Protection

- Protected line: 1,2,3,4,5,6,7,8
- Common mode surge protection(10/700us): 4KV
- Differential mode surge protection (10/700us): 1.5KV

Mechanical Characteristics

- Case: Metal
- Color: Black
- Mounting: Wall-mounted
- IP Rated: IP20
- Size: 203mm X 130mm X 41mm
- Weight: 910g

Order Info.

PT-PSE107GBRO-A-S-M 55Vdc/60W/1000M/(4,5+,7,8-) and (3,6+,1,2-)/Surge Protection/Active

Packing

PT-PSE107GBRO-A-S-M x 1
Power Cord x 1 (Optional)
Operation Manual x 1

EMI

- FCC CFR47 Part 15, EN55032, EN55035

EMS

- IEC61000-4-2(ESD) ± 4kV(contact), ±8kV(air)
- IEC61000-4-3(RS) 3V/m(80MHz~1000MHz)
- IEC61000-4-4(EFT) Power Port: ±1kV; Data Port:±0.5kV
- IEC61000-4-5(Surge) Line to Line:±1kV, Line to Earth:±2kV
- IEC61000-4-6(CS) 3V(0.15MHz~10MHz)

Immunity

- IEC60068-2-6(Vibration)
- IEC60068-2-27(Impact)
- IEC60068-2-32(Free Fall)

LED Indicator

- Link/ACT LED: Yellow&Green
- SFP LED: Green
- PoE LED: Green
- AC Power LED: Green

