

POS8PB2SA

Outdoor PoE Switch

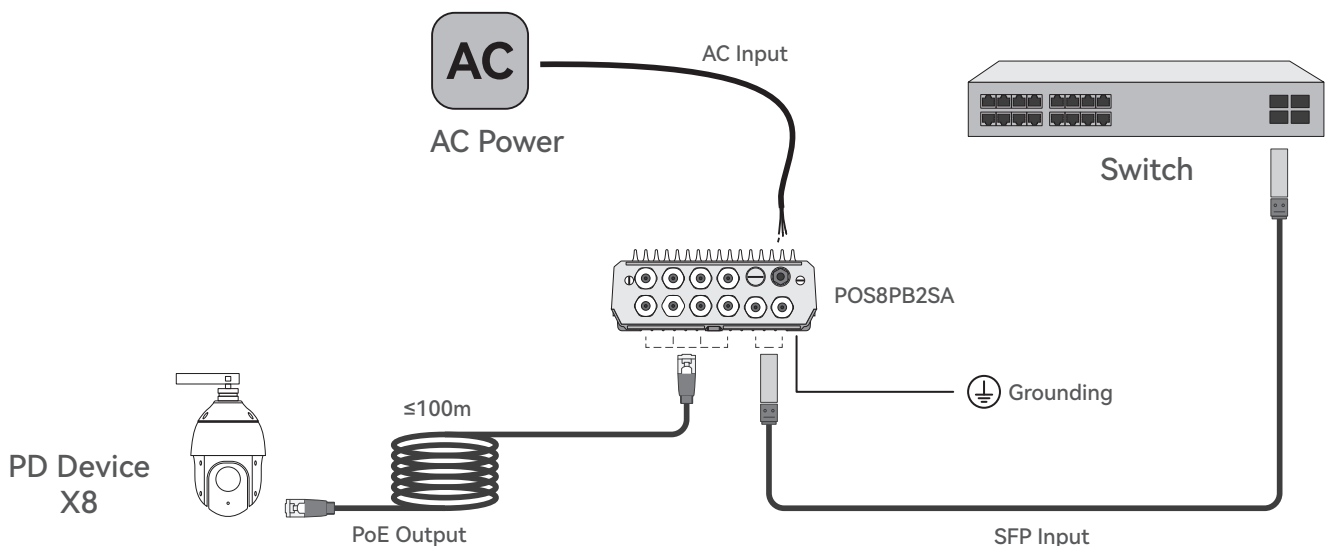
Product Introduction

Engineered for rugged outdoor use, this outdoor PoE switch suits smart traffic cameras, streetlight gateways, and edge computing. It supports 802.1Q VLAN, MAC learning, and independent PoE power (90W/port, 330W total) with scheduled tasks to optimize networks and prevent overloads.

With IP67 dust/waterproof rating, it operates -40°C to $+65^{\circ}\text{C}$, ensuring cold-start stability. Built-in 6kV surge and 6kV/8kV electrostatic protection withstand harsh conditions. The fanless cast aluminum housing with a cover enhances cable protection and heat dissipation.

Multiple mounting options (pole/wall/clamp) adapt to outdoor setups. RoHS-compliant, it suits large networks and industrial IoT for reliability and sustainability.

Product Connection Diagram



Product Specification

Item	POS8PB2SA
Ports	AC*1 SFP*2 PoE*8 Grounding*1
PoE Standard	IEEE802.3af/at/bt Power over Ethernet
Input Voltage	100-240Vac
Input Power	Max 350W
Output Power	Total power 330W Max
IPC	<20W
ESD Protection	6kV contact discharge; 8kV air discharge, Standard: IEC61000-4-2
Surge Protection	Protected Lines: 1,2,3,4,5,6,7,8 Common Mode Protection(10/700us): 6KV Differential Mode Protection(10/700us): 1.5KV
Switching Mode	Store-and-forward
Network Protocols	IEEE802.3 Ethernet IEEE802.3u Fast Ethernet IEEE802.3ab Gigabit Ethernet IEEE802.3i/IEEE802.3u/IEEE802.3ab/IEEE802.3z IEEE802.3bz
Qos	Support high - speed, non - blocking four - traffic - class QoS structure
Op Temp	-40°C — 65°C
Op Humid	10%-90%, non-condensing
Op Alt	Up to 5000m
Stor Temp	-40°C — 85°C
Stor Humid	5%-95%, non-condensing
Enclosure	Material: Aluminum alloy(metal sealing + waterproof rubber plugs)
Installation	Pole-mount (φ70~110mm) / Wall-mount (expansion screws)
Protection	IP67 (dust-proof & waterproof)
Size & Weight	309mm (including 337mm with protective cover) X 235mm X 93mm (4650g)
Certification	CE FCC

Model Comparison Chart

Item	POS8PB2SA	POS8PB2SA-V2
Data Rates	RJ45: 100/1000Mbps, SFP: 1000/2500Mbps	
Ports	AC*1 SFP*2 PoE*8 Grounding*1	AC*1 SFP*2 PoE*8 DC & 485 Port (2PIN DC port 12/24Vdc 2A adjustable, RS485 Port * 2)*1 Grounding*1
Input Power	100-240Vac 350W	
IP Rates	IP67	
Size & Weight	309mm (including 337mm with protective cover) X 235mm X 93mm(4650g)	



**Creative Lianjie Network
Technology Co. Ltd**

Email: sales@cxlj.com.cn www.proctepoe.com