



PT-POS8PB2SM-OT

Outdoor PoE Switch

Overview

PT-POS8PB2SM-OT is an outdoor-rated PoE switch. Enclosed in an IP67 Reflective metal case with a sealing gasket that passes tension, bearing, corrosion, and aging tests for IP67 applications. Pass the salt spray resistance test. Including 1 AC input port, 2 SFP 1G/2.5G fiber slot, 1 multi-function interface, and 8 PoE output port with 6KV (10/700us) surge protection, provides 55Vdc, 1.64A power for remote PDs over 4 pairs at 10/100/1000Mbps. The total output power budget is 350W.

It works with a wide input voltage of 100-240Vac with 6KV surge protection and operates from -40 to +65 . Equipped with a detecting chip inside which makes the PoE identification handshake with IEEE802.3af/at/bt PDs, can power PTZ cameras, wireless APs, base stations, and other PoE-powered devices. Protect non-PoE standard devices. The effective distance is 100 meters over Cat5e/Cat6 cables. Easily to install with installation kit (Sold separately), no need to open the equipment.

The PoE switch can power external devices with selectable 24V/12V output, and its 485/232 interface supports communication with external devices.

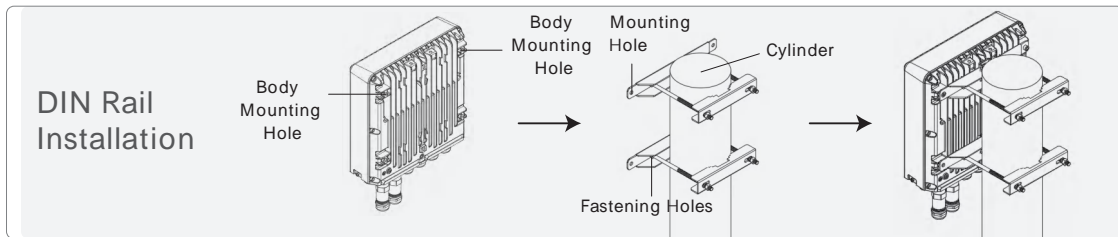
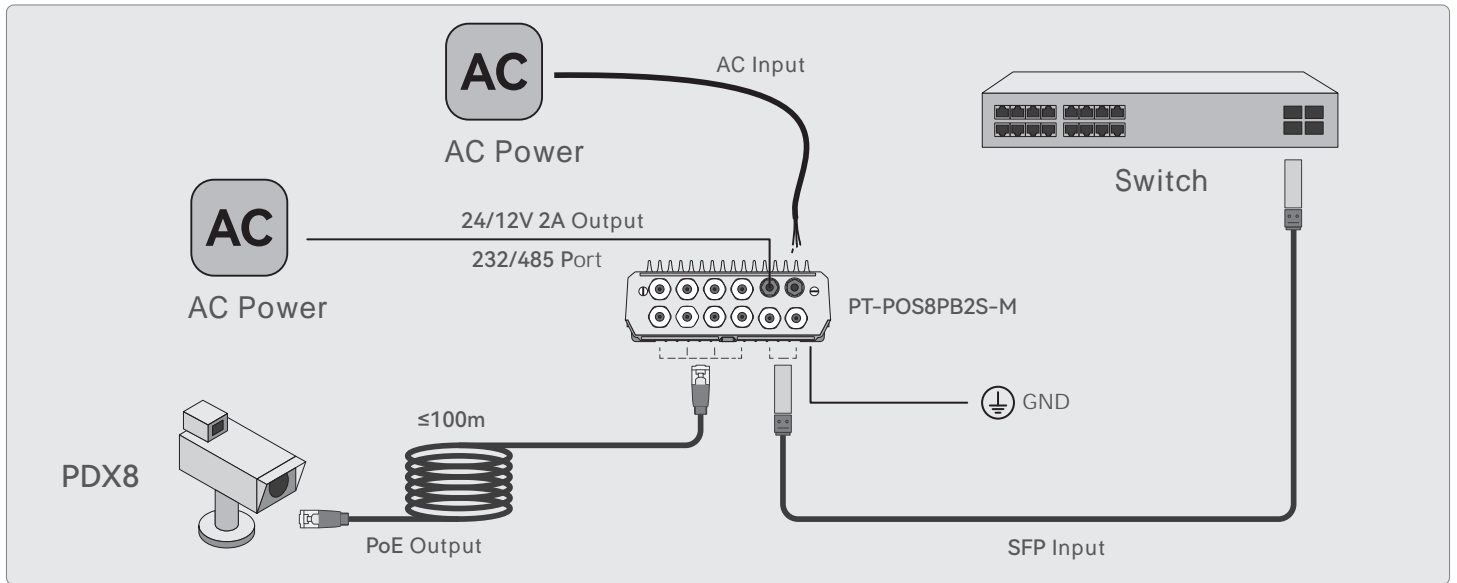
Models with an “ M ” in the P/N include Ethernet and PoE management functionalities. It can be accessed and managed via a web browser, supporting configurations such as IP settings, port settings, VLAN settings, PoE settings, and factory reset. Users can also view device information, including switch status, port status, and PoE status. Additionally, the PoE ports allow for scheduling timed power on/off operations.



Creative Lianjie Network Technology Co. Ltd

Tel: +86 10 8287 3031 Email: sales@procetpoe.com
Fax: +86 10 6296 3031 www.procetpoe.com

Product Working Diagram



Specification

Standard	IEEE802.3i 10Base-T Ethernet
	IEEE802.3u 100Base-Tx Fast Ethernet
	IEEE802.3ab 1000Base-T Gigabit Ethernet
	IEEE802.3z 1000Base-LX
	IEEE802.3af/at/bt
Input & Output	Interface: PoE*8 SFP*2 AC*1 GND*1 Multi-function Interface*1
	Input: 110-240Vac 350W
	Output : 55Vdc 1.64A 90W Max per port Total Power budget 350W Max
	PoE Power Pins: 4,5(+)/7,8(-) 3,6(+)/1,2(-)
	Data speed: RJ45 10/100/1000/2500Mbps, SFP 1000/2500Mbps
operating Environment	Common mode surge protection(10/700us): 6kV,Differential mode surge protection (10/700us): 1.5KV
	Operating Temp. : -40 to 65
Mechanical Characteristics	Operating Humidity: 5% to 95% , non-condensation
	Case: Metal
	Color: White
	IP Rated : IP67
Dimensions: 309mm (Including protective cover 337mm) X 235mm X 93mm	