

PT-POS8PB2SM-OT  
Outdoor PoE Switch

# User Manual



WWW.PROCETPOE.COM

## Declaration

Copyright ©2023 Creative Lianjie Network Technology Co.Ltd All rights reserved.

This document belongs to PROCET company. It is not allowed to reproduce and modify without the original author's permission. It is PROCET's policy to improve its products as new technology components, software, and firmware at any time. PROCET, therefore, reserves the right to change specifications without prior notice. Please follow WEEE (Waste Electrical and Electronic Equipment) disposal instructions for old electronic products. Please do not dispose of the old product in your general household waste bin.



The symbol indicates that the product should not be discarded as unsorted waste but must be sent to separate collection facilities for recovery and recycling.

## [Overview]

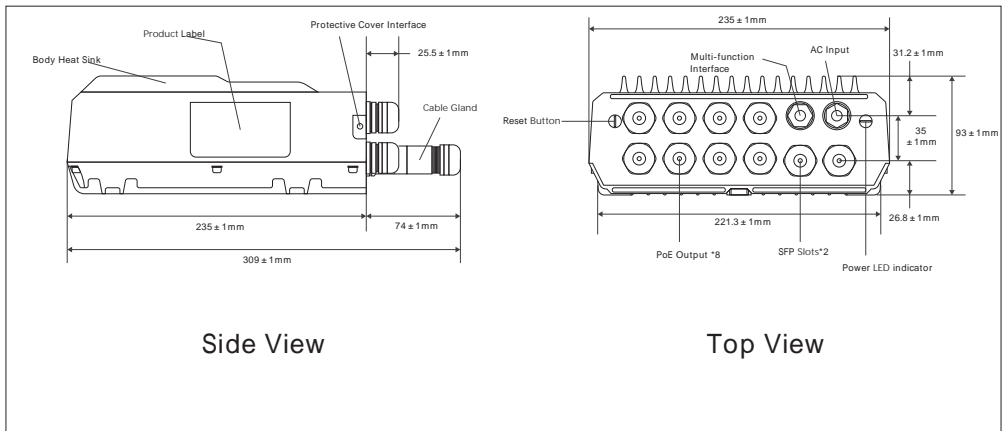
PT-POS8PB2SM-OT is an outdoor-rated PoE switch. Enclosed in an IP67 Reflective metal case with a sealing gasket that passes tension, bearing, corrosion, and aging tests for IP67 applications. Pass the salt spray resistance test. Including 1 AC input port, 2 SFP 1G/2.5G fiber slot, 1 multi-function interface, and 8 PoE output port with 6KV (10/700us) surge protection, provides 55Vdc, 1.64A power for remote PDs over 4 pairs at 10/100/1000Mbps. The total output power budget is 350W.

It works with a wide input voltage of 100-240Vac with 6KV surge protection and operates from -40 to +65. Equipped with a detecting chip inside which makes the PoE identification handshake with IEEE802.3af/at/bt PDs, can power PTZ cameras, wireless APs, base stations, and other PoE-powered devices. Protect non-PoE standard devices. The effective distance is 100 meters over Cat5e/Cat6 cables. Easily to install with installation kit (Sold separately), no need to open the equipment.

The PoE switch can power external devices with selectable 24V/12V output, and its 485/232 interface supports communication with external devices.

Models with an "M" in the P/N include Ethernet and PoE management functionalities. It can be accessed and managed via a web browser, supporting configurations such as IP settings, port settings, VLAN settings, PoE settings, and factory reset. Users can also view device information, including switch status, port status, and PoE status. Additionally, the PoE ports allow for scheduling timed power on/off operations.

## [Appearance]



## 【Specification】

Model	PT-POS8PB2SM-OT
Power Input	110-240Vac 350W
PoE Standard	IEEE802.3af/at/bt
IP Rated	IP67
Power Pins	4,5(+)/7,8(-) 3,6(+)/1,2(-)
Output	55Vdc 1.64A 90W Max per port, Total power budget 350W Max.
Operating Temp.	-40 ~ 65
Network Protocol	IEEE802.3i/IEEE802.3u/IEEE802.3ab/IEEE802.3z
Data Speed	RJ45: 10/100/1000Mbps, SFP:1000/2500Mbps
Installation Methods	Pole Mount
PoE Surge Protection	Common mode surge protection: 6kV,Differential mode surge protection: 1.5KV
Interface	PoE*8, SFP*2, AC*1, GND*1, Multi-function Port*1
Dimension	309mm ( Including protective cover337mm ) X 235mm X 93mm

## 【Troubleshooting】

Failure Phenomena	Cause Analysis	Solutions
Power LED Light off	Abnormal power supply	Check input voltage
	Poor Power outlet Poor Power cord Power cable is not plugged in firmly	Check if the socket connection is loose, if the AC cable is damaged, or if the power supply is abnormal.
	Device issues	Device replacement
Load Indicator Light Off	Poor network cable contact or network cable failure.	Re-plug the network cable or replace the network cable.
	Non-PoE compliant PD or unsupported PD or mismatched PD	PD replacement
	PD Damage	PD replacement
Data Transmission Abnormality	Check if the total length of the Cat5/5e/6 cable exceeds 100 meters.	Shorten the connection distance, or add an extender/repeater.
	SFP port signal source malfunction.	Check if the switch working properly.Make sure two ends of fiber cable with the same SFP Gigabit transceiver
	Re-plug the network cable or replace the network cable.	Check if the cable comply with the EIA/TIA568B or 568A. Change good network cable if the previous cable is poor.

## 【Cautions】

1. Please read the instructions carefully and follow the standard operating procedures before using.
2. The device must be grounded. Ground wires are not included in the package.
3. For outdoor applications, please use IP67 network cables to prevent the outdoor environment from affecting the network quality.
4. The AC input port is a 3-Pin waterproof cable connector with screw locking of connecting way and there are marks showing pin definition. The 3 pins are labeled: Ground, N (neutral), and L (line).
5. Connect a CAT5/5e/6 cable with the RJ45 connector into the RJ45 socket labeled PoE. On the other end of the CAT5/5e/6 cable, connect to your PoE-powered Device (such as IP Cameras, etc). The total Ethernet cable length can not exceed 100 meters.
6. For the SFP slot, connect a fiber cable with the SFP optical module at 1/2.5G from a data source, such as a fiber switch into the unit's SFP slot for fiber data uplink. (The optical module is not included in the package). You can choose either single-mode or multi-mode SFP transceiver.
7. For LAN port, connect a CAT5/5e/6 cable from your Data source, such as a router/switch into the unit's LAN port, for Ethernet uplink.