

Outdoor PoE Pole Mounting Manual

Product Overview

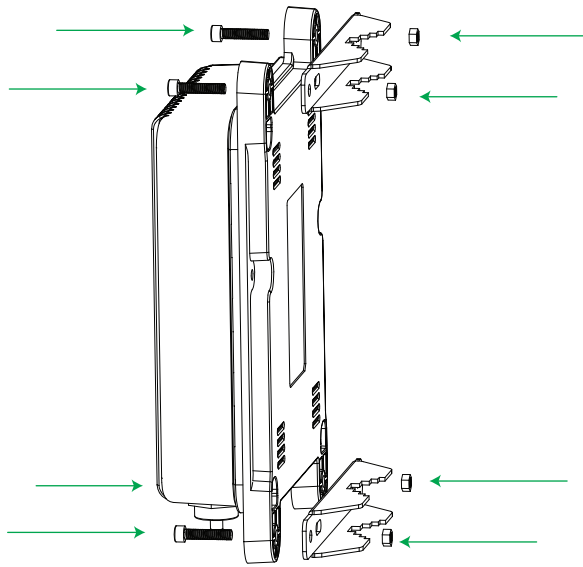
PROCET company outdoor series PoE were designed special for outdoor environment. They are easy to deploy with pole mounting kit(Part number: PT-POT-MBK). No need to open the equipment.



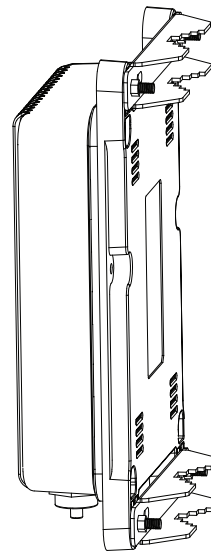
PT-POT-MBK

High quality SUS 304 stainless steel material with a gloss white paint coating. It is suitable for all Procet outdoor PSE and PoE switch.

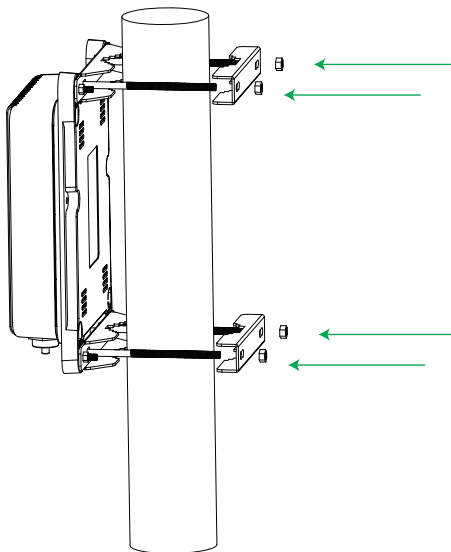
The steps of mounting to a pole



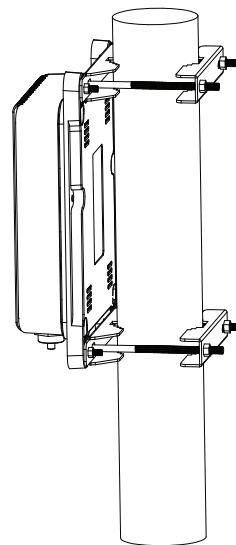
(1) Using 4PCS M5×25 bolt and M5 nut to mount 2 big bracket to the back of product



(2) The drawing for finished mounting big bracket.

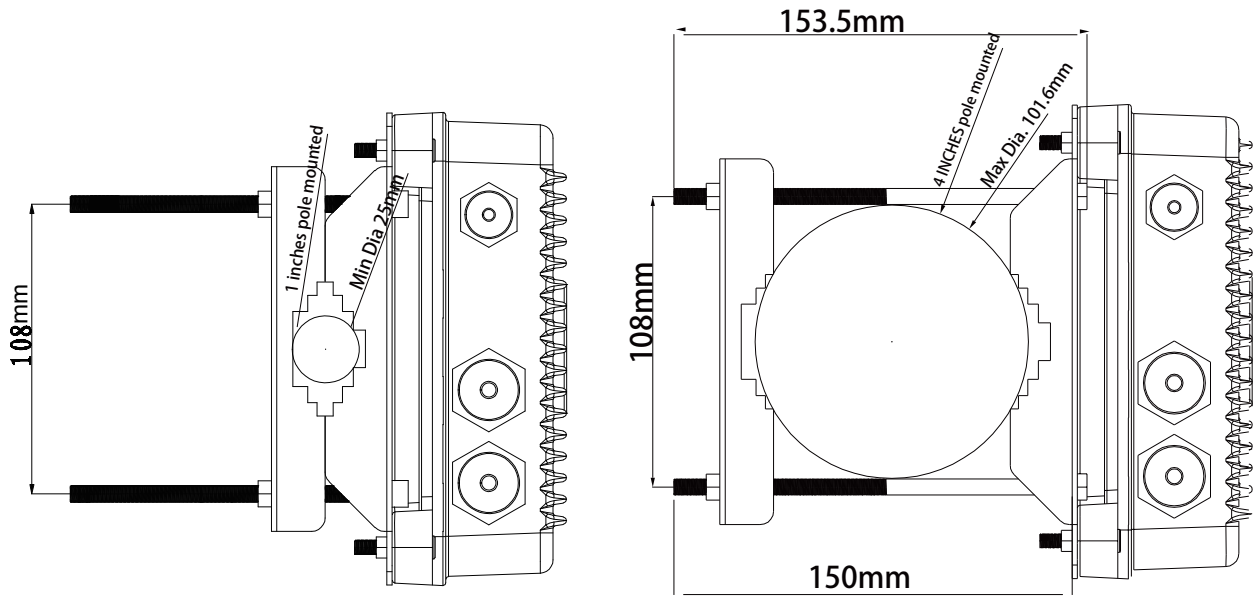


(1) Using 4PCS M6×150 bolt and M6 nut and 2 small bracket to mount the product to a suitable pole.



(4) The drawing for finished mounting to a pole.

Pole diameter range:25mm(1 Inch) to 101.6mm(4 Inch)



Product Profile



(1) 4PCS M5x25 bolts and nuts

(2) 4PCS M6x150 bolts and nuts

(3) 2 small brackets

(4) 2 big brackets