



**PT-POS301GWRF-OT**

**Outdoor Fiber PoE Switch**

**Product Overview**

PT-POS301GWRF-OT is an outdoor rated switch special designed for exterior, complex backhaul and networking applications, special scenarios, like highway side, exurb, etc.

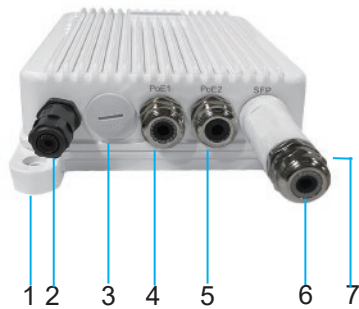
Enclosed in an IP67 Reflective Aluminum alloy case with a sealing that gasket passes tension, bearing, corrosion, and aging test. Pass salt spray resistance test. The two PoE output ports compliant with IEEE802.3af/at/PoE++ with 6KV (10/700us) surge protection, at 55Vdc 1.1A power for remote PDs at 10/100/1000Mbps.

It works with wide input voltage of 100-240Vac and operates under -40 °C to +65 °C. Equipped detecting chip inside, which will detect and classify PD before powering it. It will not provide power until a standard-compliant PD is detected. The effective distance is 100 meters over Cat5e/Cat6 cables.

It is ideal for wireless APs, network camera, VoIP phone, base stations, and other Ethernet power terminals. Easily to install with installation kit (PT-POT-MBK Sold separately). The IP67 housing does not need to be opened and provides a quick, seamless installation.



**Product Profile**

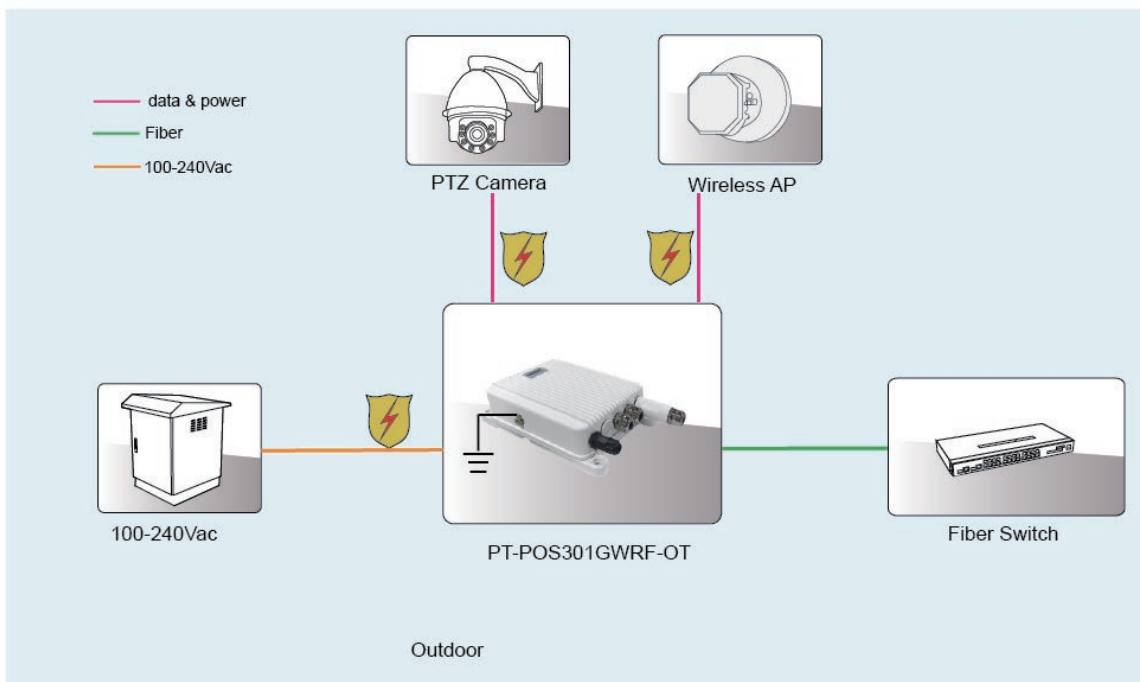


- 1. LINE AC: AC Power Input Port
- 2. LINE AC: AC Power Input Port
- 3. Unused
- 4. PoE 1: Data&Power Output Port
- 5. PoE 2: Data&Power Output Port



- 6. SFP: Data Input Port
- 7, 8, 9. Mounting Hole
- 10. Earth

**Product Working Diagram**



### Specification

#### Standard

- IEEE802.3 10Base-T Ethernet
- IEEE802.3u 100Base-Tx Fast Ethernet
- IEEE802.3ab 1000Base-T Gigabit Ethernet
- Compliant with IEEE802.3af/at/PoE++
- RoHS Compliance
- WEEE Compliance

#### Input & Output

- Input :100-240Vac 2.0A 50/60Hz
- Output: 55Vdc 1100mA \*2 Ports  
Total 120W
- Power Pins: 3/6(+), 1/2(-), 4/5(+), 7/8(-)
- Data Speed: 10/100/1000BASE-T RJ45 Interfaces  
1000BASE-X SFP Interfaces

#### Working Environment

- Operating Temperature: -40 C to 65 C
- Operating Humidity: 20% to 90%, non-condensation
- Storage Temperature: -40 C to 85 C
- Storage Humidity: 10% to 95%, non-condensation
- Operating Altitude: up to 5000meters

#### AC Surge Protection

- Line-Line 1.2/50us(8/20us): 4KV
- Line-Earth 1.2/50us(8/20us): 6KV

#### PoE Surge Protection

- Protected line: 1,2,3,4,5,6,7,8
- Common mode surge protection(10/700us): 6KV
- Differential mode surge protection (10/700us): 1.5KV

#### Mechanical Characteristics

- Case: Aluminum Alloy
- Color: White
- Mounting: Wall-mounted/Pole-mounted
- IP Rated: IP67
- Size: 176mm X 269mm X 65mm
- Weight: 1.8kg

#### Safety Approvals

- cUL/UL

#### EMI

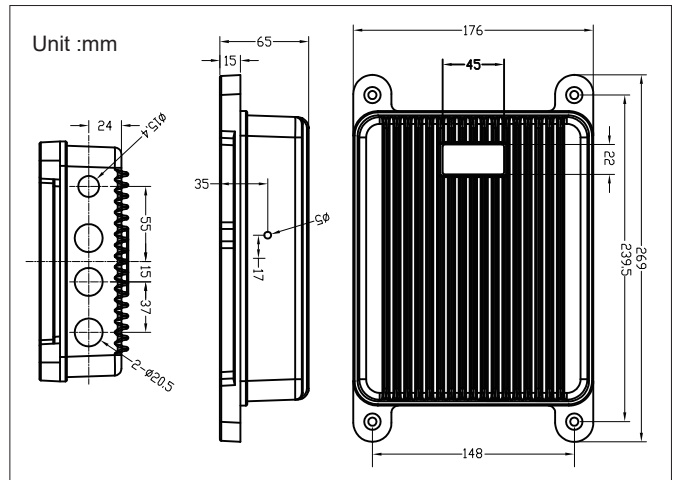
- FCC CFR47 Part 15, EN55032, EN55035

#### EMS

- IEC61000-4-2(ESD) ± 4kV(contact), ±8kV(air)
- IEC61000-4-3(RS) 3V/m(80MHz~1000MHz)
- IEC61000-4-4(EFT) Power Port: ±1kV; Data Port:±0.5kV
- IEC61000-4-5(Surge) Line to Line:±1kV, Line to Earth:±2kV
- IEC61000-4-6(CS) 3V(0.15MHz~10MHz)

#### Immunity

- IEC60068-2-6(Vibration)
- IEC60068-2-27(Impact)
- IEC60068-2-32(Free Fall)



**Order Info.** PT-POS301GWRF-OT 55Vdc/1.1A /1000Mbps/3,6(+), 1,2(-), 4,5(+), 7,8(-)/Surge Protection/IP67

**Packing** PT-POS301GWRF-OT Manual x 1

**Option** PT-POT-MBK Outdoor installation Kit

This document belongs to Lindsay company. It is not allowed to reproduce and modify without the original author's permission. It is Lindsay's policy to improve its products as new technology, components, software, and firmware at any time. PROCET, therefore, reserves the right to change specifications without prior notice. (2024.03)