

PT-PGC-AF
Gigabit PoE to USB-C Adapter

Quick Installation Guide



www.procetpoe.com

Declaration

This document belongs to PROCET company. It is not allowed to reproduce and modify without the original author's permission. It is PROCET's policy to improve its products as new technology, components, software, and firmware at any time. PROCET, therefore, reserves the right to change specifications without prior notice. Please follow WEEE (Waste Electrical and Electronic Equipment) disposal instructions for old electronic products.

Please do not dispose of the old product in your general household waste bin.



The symbol indicates that the product should not be discarded as unsorted waste but must be sent to separate collection facilities for recovery and recycling.

Overview

The installation Guide for PT-PGC-AF and mainly introduces the hardware specification, installation methods, and precautions of the installation. There may be differences in the appearance and configuration from other models. All product images in this manual are for illustration purposes only and may differ from the actual product.

This manual includes the following chapters:

1. Product Introduction. Including the basic functions and specification of PT-PGC-AF, as well as the product appearance and applications introduction.
2. Installation Introduction. Introducing the preparation work and precautions before installing the product.
3. Product Installation.

For whom

Network Engineers
Network Administrators
Field Technicians

Table of Contents

1. Introduction	01
1.1 Introduction.....	01
1.2 Appearance.....	01
1.3 Specification.....	03
2. Installation Preparation	03
2.1 Package Contents.....	03
2.2 Installation Toolkits.....	04
2.3 Inspection.....	04
2.4 Caution.....	05
3. Installation	05
3.1 Mounting Installation.....	05
3.2 Inspection.....	06

1. Introduction

1.1 Introduction

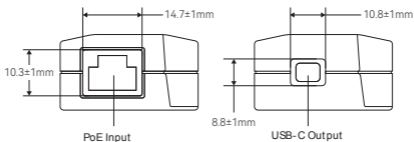
PT-PGC-AF is an indoor PoE to USB-C adapter. It allows power and data obtained from an IEEE802.3af PoE injector or PoE switch to be provided to USB-C PD and network connectivity through the adapter.

PT-PGC-AF features a white plastic housing design, making it portable for on-the-go use or for fixed installations. The device operates within a safe voltage input of up to 57V and provides a power output of 5V/2A and network data at 10/100/1000Mbps. The effective distance for PoE transmission via Cat5e/Cat6 Ethernet cable is 100 meters.

PT-PGC-AF is compatible with most tablets, Android smartphones, and the latest Apple smartphones with USB-C interface. When no PoE power source is fed, it can be regarded as a Gigabit Ethernet converter. That is Ethernet signal can be transmitted through two connected devices.

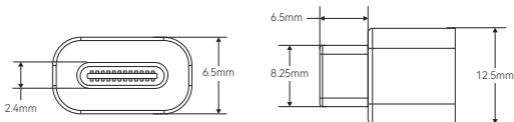
1.2 Appearance

• Front View



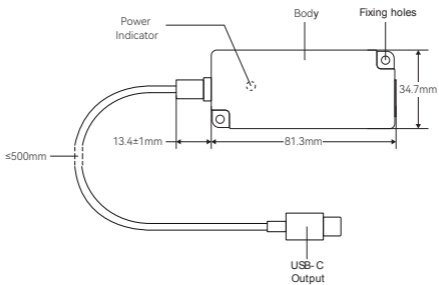
1-1 Front View

• USB-C



1-2 USB-C

• Upper View



1-3 Upper View

• Side View



1-4 Side View

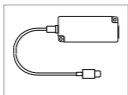
1.3 Specification

Items	Descriptions
Input	40-57Vdc PoE Injector / PoE Switch
Power pins	4/5(+),7/8(-) or 3/6(+),1/2(-) or 3/6(-),1/2(+)
Output	5Vdc 2.0A
USB Standard	USB 3.0
Network Protocol	IEEE802.3 i/u/ab
Data Speed	10/100/1000Mbps
Operating Temp.	0°C to 40°C
Operating Humidity	20% to 80%, non-condensation
Operating Altitude	Up to 2000 meters
Storage Temp.	-20°C to 85°C
Storage Humidity	10% to 90%, non-condensation
IP Rated	IP40
Dimensions & NW	(81.3+500)mm X 34.7mm X 19mm (51.4g)

2. Installation Preparation

2.1 Package Contents

Open the box of the PT-PGC-AF and carefully unpack it, the box should contain the following items:



PT-PGC-AF



Operating Manual

2.2 Installation Toolkits

These tools may be needed during equipment installation, and should be prepared by yourself: level ruler, marking pen, craft knife, wire stripper, network pliers, impact drill, different matching drillbits, rubber hammer, cross screwdriver, wrench, ladder, etc.

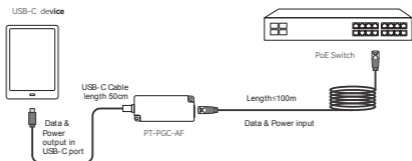
2.3 Inspection

Check if the powered device work normally after the connection.



Caution

Please use Cat5e or Cat6 cables to connect this product.



2-1 Device Connection



Caution

- We recommend to use Cat5 or higher UTP/STP cables for 100Base-TX Ethernet
 - We recommend to use Cat5e or above UTP/STP cables for 1000Base-T Ethernet.
-

2.4 Caution

- 1.This device is for indoor use only.
- 2.For optimal performance of this device, please use Cat 5e or Cat6 cables
- 3.The total Ethernet cable length can not exceed 100 meters.
- 4.Disconnect the USB- C cable from your USB- C device if it does not need power charged. Because prolonged charging may cause your USB- C devices/ Tablets to experience battery swelling or a decrease in battery storage capacity.
5. Please use USB 3.0 or higher standard products for connection. Since the practical speed is 35/40MB/s for USB2.0, the practical speed is 300MB/s for USB3.0, practical speed is 300MB/s for USB3.1 Gen 1, practical speed is 1.2GB/s for USB3.1 Gen 2. Low and high-standard USB- C devices connecting only apply the lower standard speed.
- 6.If this product needs to be installed in a fixed position, please choose a metal plate or wall for installation. Wooden backboards should not be used to prevent fire hazards.

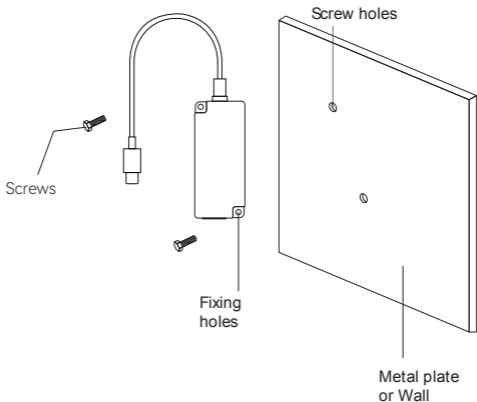
3. Installation

This product is primarily used desktop but can also be used for fixed installations.

3.1 Wall mounted Installation

This product is safe to use wall-mounted installation.

3.1.1 Fix the product with screws and tighten them into the screw holes. As showed in Figure 3- 1.



3-1 Wall-mounted Installation

3.2 Inspection

Inspect the installed equipment before putting it into operation

- Make sure the PD connected can work normal.
- Make sure the Ethernet cable connection is correct.

Qualification Card

PASS