



PT-PSE109GBRO-A-S-M

Industrial 95W Managed SFP PoE Injector

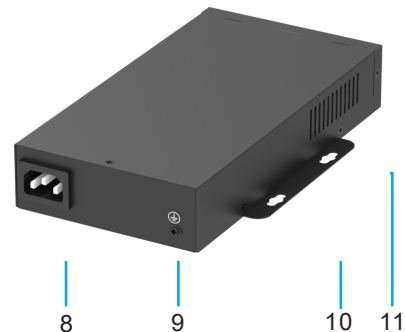
Product Overview

PT-PSE109GBRO-A-S-M, a single port PoE Injector with Managed Ethernet function. Supports IEEE 802.1Q VLAN and port-based VLAN. We can access and manage the device via web browser, including IP configuration, port configuration, VLAN configuration, PoE configuration, device control, etc. We can also view device information such as switch status, port status, and PoE status etc. In addition, the PoE port enables remote control of the device' on/off and reset status.

This model has a 1000BASE-X SFP Interfaces, offers a unique solution to powering long range installations, where the data input comes over fiber

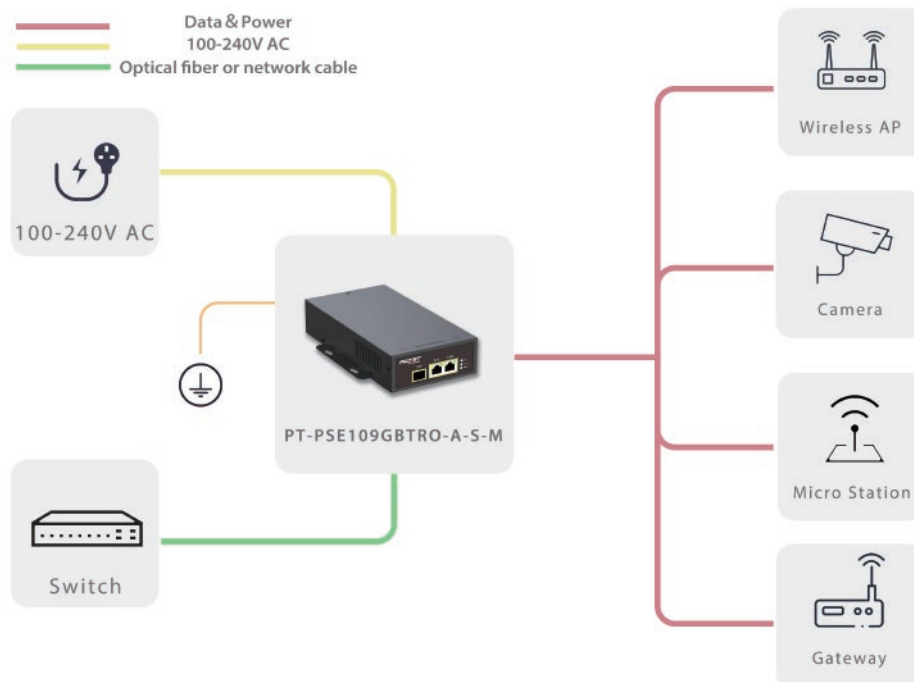
The PoE output port delivers 55V/1.75A power for remote PD via full 4 pairs with 6KV surge protection at 10/100/1000Mbps of data speed. It complies to IEEE802.3af/at/bt standard making it compatible with PoE, PoE+, PoE++ devices, such as wireless APs, IP cameras, base stations, gateways, and other high-power Ethernet backhaul devices. Industrial design, when cover with waterproof case can be used for outdoor application under -40 C to +65 C. It works with wide input voltage of 100-240Vac with 6KV surge protection. Auto-negotiate 802.3af/at/bt PoE powered device, no worry about powering a non-standard device. It works like a switch, the data is interoperable among LAN port, PoE port and SFP port.

Product Profile



- | | | |
|---------------------------|------------------------|-------------------|
| 1. SFP fiber port | 5. SFP fiber LED | 9. Earth terminal |
| 2. PoE port | 6. PoE indicator LED | 10. Mounting hole |
| 3. Link/ACT indicator LED | 7. Power indicator LED | 11. Mounting hole |
| 4. LAN port | 8. AC input port | |

Product Working Diagram



Specification

Standard

- IEEE802.3 10Base-T Ethernet
- IEEE802.3u 100Base-Tx Fast Ethernet
- IEEE802.3ab 1000Base-T Gigabit Ethernet
- IEEE802.3z 1000Base-X
- IEEE802.3af/at/bt Power over Ethernet standard
- IEEE802.1Q VLAN
- WEEE Compliant,CE/FCC

Input & Output

- Input :100-240Vac 2.0A 50/60Hz
- Output: 55Vdc 1750mA
- Power Pins: 4/5(+), 7/8(-) and 3/6(+),1/2(-)
- Data Speed: 10/100/1000BASE-T RJ45 Interfaces
1000BASE-X SFP Interfaces

Working Environment

- Operating Temperature: -40 C to 65 C
- Operating Humidity: 20% to 80%, non-condensation
- Storage Temperature: -40 C to 85 C
- Storage Humidity: 10% to 90%, non-condensation
- Operating Altitude: up to 5000meters

AC Surge Protection

- Line-Earth 1.2/50us (8/20us): 6KV
- Line-Line 1.2/50us (8/20us): 4KV

PoE Surge Protection

- Protected line: 1,2,3,4,5,6,7,8
- Common mode surge protection(10/700us): 4KV
- Differential mode surge protection (10/700us): 1.5KV

Mechanical Characteristics

- Case: Metal
- Color: Black
- Mounting: Wall-mounted
- IP Rated: IP20
- Size: 213mm X 134mm X 41mm
- Weight: 1104g

Order Info.

PT-PSE109GBRO-A-S-M 55Vdc/95W/1000Mbps/(4,5+,7,8-) and (3,6+,1,2-)/Surge Protection/Active

Packing

PT-PSE109GBRO-A-S-M x 1
Power Cord x 1 (Optional)
GND WIRE 16AWG x 1
Operation Manual x 1

EMI

- FCC CFR47 Part 15, EN55032, EN55035

EMS

- IEC61000-4-2(ESD) $\pm 6kV$ (contact), $\pm 8kV$ (air)
- IEC61000-4-3(RS) 10V/m(80MHz~2GHz)
- IEC61000-4-4(EFT) Power Port: $\pm 2kV$; Data Port: $\pm 1kV$
- IEC61000-4-5(Surge) Power Port: $\pm 1kV/DM$, $\pm 2kV/CM$
- IEC61000-4-6(CS) 10V(150kHz~80MHz)

Immunity

- IEC60068-2-6(Vibration)
- IEC60068-2-27(Impact)
- IEC60068-2-32(Free Fall)

LED Indicator

- Link/ACT LED: Yellow&Green
- SFP LED: Green
- PoE LED: Green
- AC Power LED: Green

