

# PT-PD208GT PoE Splitter User Manual



WWW.PROCETPOE.COM

## Declaration

Copyright ©2024 Creative Lianjie Network Technology Co.Ltd All rights reserved.

This document belongs to PROCET company. It is not allowed to reproduce and modify without the original author's permission. It is PROCET's policy to improve its products as new technology, components, software, and firmware at any time. PROCET, therefore, reserves the right to change specifications without prior notice.

Please follow WEEE (Waste Electrical and Electronic Equipment) disposal instructions for old electronic products.

Please do not dispose of the old product in your general household waste bin.



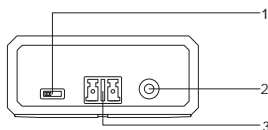
The symbol indicates that the product should not be discarded as unsorted waste but must be sent to separate collection facilities for recovery and recycling.

## Overview

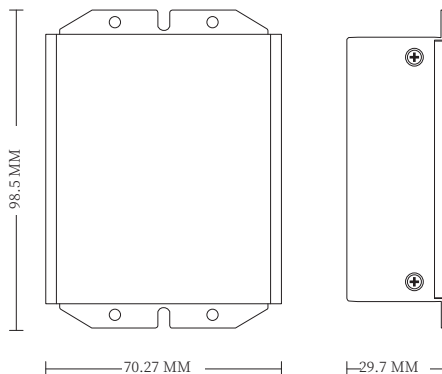
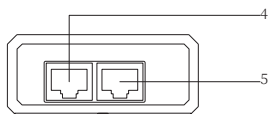
PT-PD208GT is a single-port PoE splitter with a high-impact metal shell. It works as a converter separating power and data from the PoE source and then delivering power and data to non-PoE devices. DIP switch for 12V and 24V adjustable output voltage. Working for 25W non-PoE PDs, such as power communication stations, wireless APs, network cameras, and other non-PoE terminals. Supporting 10/100/1000Mbps of data speed.

It is powered by IEEE802.3at standard PSE or PoE+ Switch at 30W. The effective distance is 100 meters over Cat5e/Cat6 cables from data source to terminal device. Isolated design inside to avoid high current input damage. The model is easy to install with two mounting holes.

## Appearance

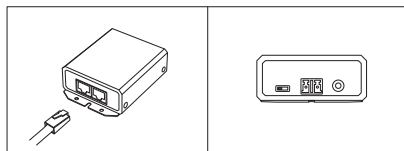


1. DIP Switch for 12V/24V
2. GND Terminal
3. 12V/24V DC Output Terminal
4. PoE Input Port
5. LAN Data Output port



# Specification

Input	Input	40-57Vdc 2.0A Max
	PoE Standard	IEEE802.3af/at/PoE+
	Power Pins	4/5(+),7/8(-) & 3/6(+),1/2(-)
Output	Output	12Vdc 2.15A Max    24Vdc 1.05A Max
	Data Speed	10/100/1000Mbps
Operating Environment	Work Temp.	12/24Vdc 25W @-25 to 40 12/24Vdc 13W @-25 to 65
	Operating Humidity	20%-80% , non-condensation
	Operating Altitude	Up to 2000 meters
	Storage Temp.	-20 to 70
	Storage Humidity	10%-90% , non-condensation
PoE Surge Protection	Protected line:1,2,3,4,5,6,7,8	
	Common mode surge protection(10/700us): 6kV	
	Differential mode surge protection (10/700us): 1.5kV	
Network Protocol	IEEE802.3/IEEE802.3u/IEEE802.3ab	
Media Support	10 / 100 / 1000BASE-TXCat5 or above UTP ( 328 feet )	
Regulatory Compliance	CE FCC	
IP Rated	IP40	
Dimensions	98.5mm × 70.27mm × 29.7mm (189.3g)	
LED	PWR	LED indicator
EMC	FCC	FCC Part 15 Subpart B
	CE	EN 55032:2015/A11:2020
		EN 55035:2017/A11:2020



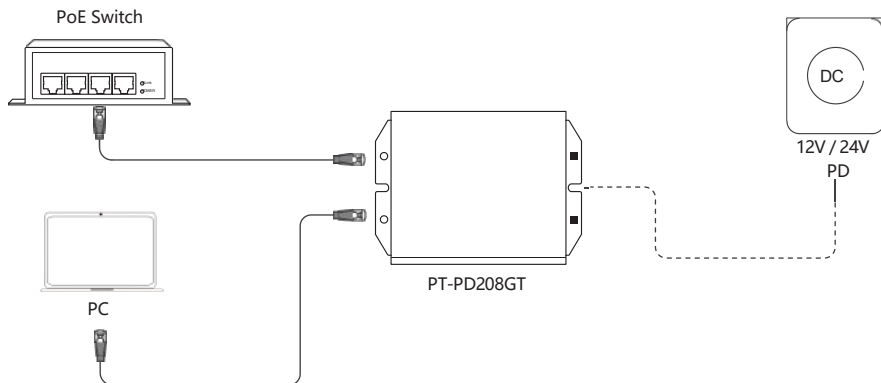
3 Connection Diagram

## Caution

1. Connect a CAT5/5e/6 cable with the RJ45 connector into the RJ45 socket labeled PoE In.
2. For LAN Port at 10/100/1000Mbps, connect another CAT5/5e/6 cable with RJ45 connector to your non-PoE device which needs Ethernet data transfer.
3. Note: The total Ethernet cable length can not exceed 100 meters from the Data source to the terminal device.
4. The DC terminal block is for DC power wire output. Please pay attention to the positive and negative poles.



1. please read the instructions carefully and follow the standard operating procedures before using.
2. Please place it in a well-ventilated and dry area , and it is for indoor use only.



Qualification Card

PASS

**PRO CET**<sup>®</sup>  
PoE System

Creative Lianjie Network Technology Co.Ltd  
www.procetpoe.com