

EN-PEX4GBC PoE Extender

User Manual



www.procetpoe.com

Declaration

Copyright ©2023 Creative Lianjie Network Technology Co.Ltd All rights reserved.

This document belongs to PROCET company. It is not allowed to reproduce and modify without the original author's permission. It is PROCET's policy to improve its products as new technology components, software, and firmware at any time. PROCET, therefore, reserves the right to change specifications without prior notice.

Please follow WEEE (Waste Electrical and Electronic Equipment) disposal instructions for old electronic products. Please do not dispose of the old product in your general household waste bin.

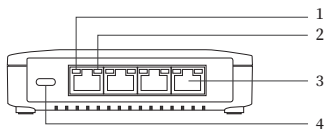


The symbol indicates that the product should not be discarded as unsorted waste but must be sent to separate collection facilities for recovery.

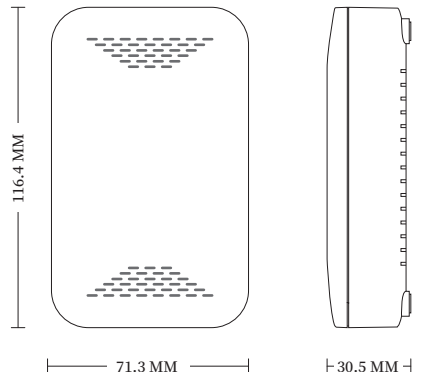
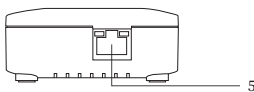
Overview

EN-PEX04GBC is a 4-port Gigabit PoE extender, can deliver power and transmit data to 4 802.3af/at PDs simultaneously, total power budget is 71W. It is powered by an ultra 802.3bt/PoE++ switch or PSE, does not need an external power adapter. The typical power input is 90W. The total effective distance from data source to PD is 200 meters over CAT5e/CAT6 cables. Daisy-chain 2 units reaching 300m from end to end or by star topology can power up 7 PDs. Equipped a USB-C port, which can deliver power to mobile phone , tablet or USB-C devices. Designed with OVP, OCP, SCP function.

Appearance



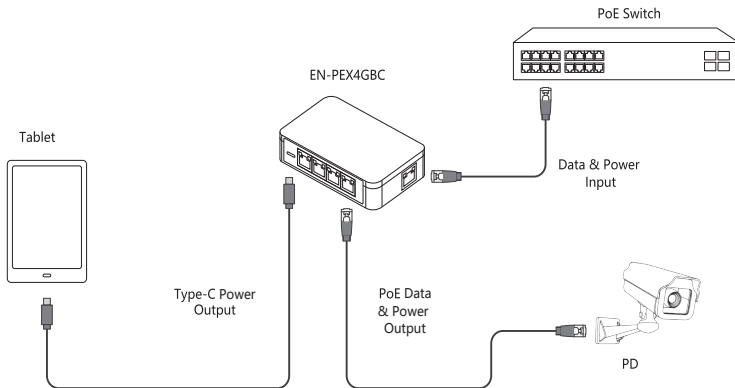
- 1.Data Indicator
- 2.PoE Load Indicator
- 3.PoE Output Port
- 4.Type-C Output Port
- 5.PoE Input Port



Specification

Model	EN-PEX4GBC		
PoE Input	PoE+ +/802.3bt/Passive, 44-57Vdc, Typical: 90W		
Class Level	Class 8		
PoE Out Power Pins	3/6(+), 1/2(-)		
Output	PoE Output: 802.3af/at, 30W(max)*4 Ports, total 71W		
	Type-C Output: 5V2.0A / up to 10W(Max)		
Work Temp.	0°C to 40°C		
Network Protocol	IEEE802.3i	IEEE802.3u	IEEE802.3ab
Data Speed	RJ45: 10/100/1000Mbps		
EMC	EN 55032:2015/A11:2020		EN 55035:2017/A11:2020
Dimensions & NW	116.4mm X 71.3mm X30.5mm 151.3g		

Product Working Diagram



Caution

1. Please read the instructions carefully and follow the standard operating procedures before using.
2. Please place it in a well-ventilated and dry area, and it is for indoor use only.
3. Connect a CAT5/5e/6 cable with the RJ45 connector into the RJ45 socket labeled PoE In. The total Ethernet cable length can not exceed 100 meters.
4. Connect a CAT5/5e/6 cable with the RJ45 connector into the RJ45 socket labeled PoE 1, PoE2, PoE3 and PoE4. On the other end of the CAT5e/6 cable, connect to your PoE powered Device (PD, such as IP Cameras etc). The total Ethernet cable length can not exceed 100 meters.
5. Daisy-chain 2 units reaching 300m from end to end or by star topology can power up 7 PDs.
6. The device must be placed on a stable surface, preferably affixed and mounted permanently. Do not leave it "dangling" and use plugged-in cables in tension as support. Drops, falls, and impacts experienced by the injector can compromise the internal components & cause premature failure.
7. Do not place heavy objects on top of this injector. Allow at least 5cm of clearance on all sides of the device for heat ventilation / natural convection.