



PT-PSE105GBS-D-10

10G Fiber to 802.3bt PoE++ Converter

Overview

PT-PSE105GBS-D-10 is a single-port media converter with PoE function. The single PoE output port delivers 1.75A up to 95W(max) power for remote PDs over 4 pairs. Equipped detecting chip inside which will make the PoE identification handshake with IEEE802.3af/at/bt PDs. Such as PTZ cameras, wireless APs, base stations, and other PoE-powered devices which need high power watts. Protecting non-PoE powered devices.

RJ45 port supports 100/1000Mbps, 2.5G/5G/10GbE NBase-T, while the fiber slot only supports 10GE SFP+ of optical module. Enclosed in an IP40 high-impact metal case with a DIN Rail mount bracket, designed for indoor use but can work outdoors by covering it with a waterproof case. It works with an input voltage of 50-57Vdc and operates under -40°C to +65°C. For planning purposes, the effective distance is 100 meters over Cat6 cables.

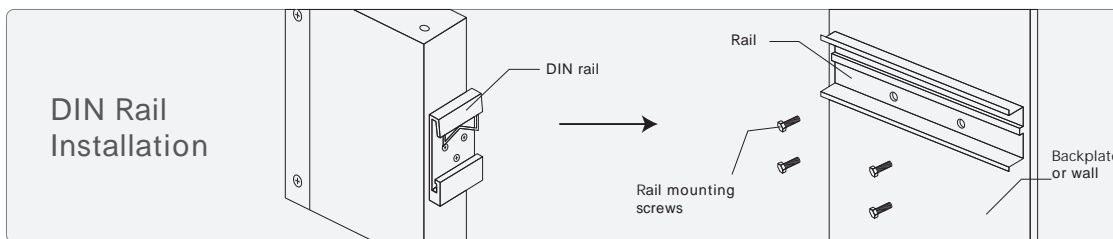
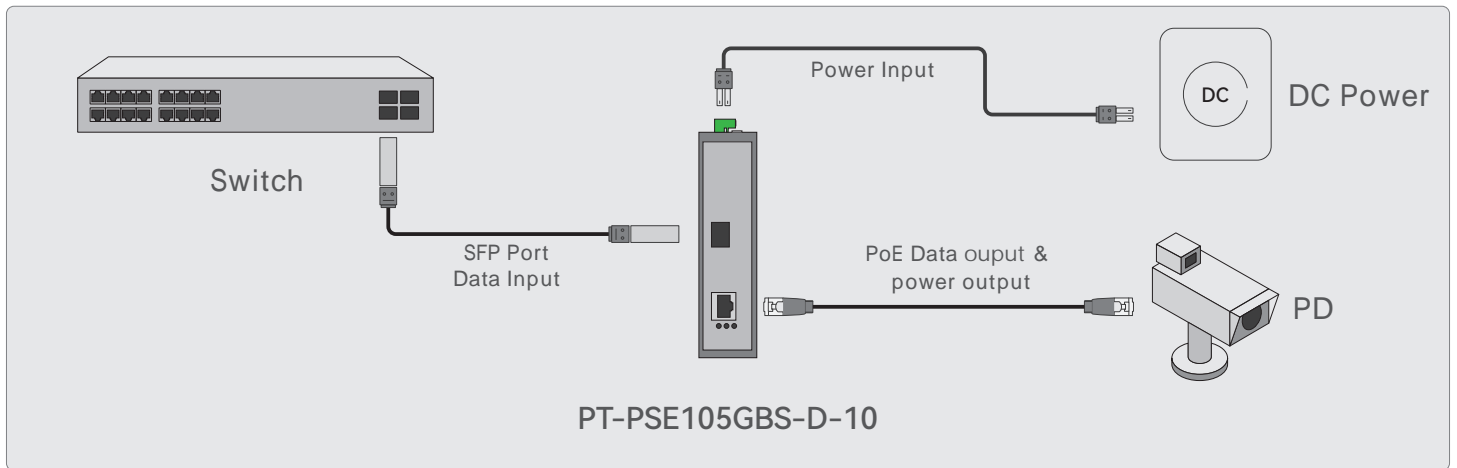


Creative Lianjie Network Technology Co.,Ltd

Tel: +86 10 8287 3031 Email: sales@procetpoe.com

Fax: +86 10 6296 3031 www.procetpoe.com

Product Working Diagram



Specification

Standard	IEEE802.3u 100Base-Tx Fast Ethernet
	IEEE802.3ab 1000Base-T Gigabit Ethernet
	IEEE802.3an 10GBase-T 10Gigabit Ethernet IEEE802.3ae 10G SFP+ Fiber 10Gigabit Ethernet
	CE FCC
Input & Output	IEEE802.3 af / at / bt
	Interface : PoE OUT*1 , SFP IN*1 , DC IN*1 , GND*1
	Input : 50-57Vdc 2.0A
	Output : 48-55Vdc 1750mA
	Power Pins : 4/5(+), 7/8(-) & 3/6(+), 1/2(-)
Operating Environment	Data speed : 100M/1000M/2.5G/5G/10G, 10G SFP+
	Work Temp. : -40 to 65
Mechanical Characteristics	Operating Humidity: 20% to 80%, non-condensation
	Case: Metal
	Color: Black
	IP rated : IP40
	Dimensions : 144.5mm x 95mm x 35.4mm
	Net Weight : 485g