

User Manual



WWW.PROCETPOE.COM

Declaration

Copyright ©2023 Creative Lianjie Network Technology Co.Ltd All rights reserved.

This document belongs to PROCET company. It is not allowed to reproduce and modify without the original author's permission. It is PROCET's policy to improve its products as new technology components, software, and firmware at any time. PROCET, therefore, reserves the right to change specifications without prior notice.

Please follow WEEE (Waste Electrical and Electronic Equipment) disposal instructions for old electronic products. Please do not dispose of the old product in your general household waste bin.



The symbol indicates that the product should not be discarded as unsorted waste but must be sent to separate collection facilities for recovery and recycling.

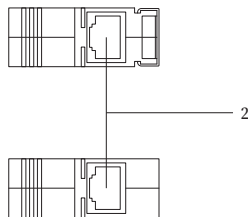
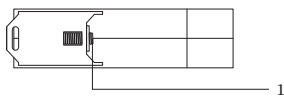
Overview

PT-PR01G-DIN is a single-port industrial PoE surge protector designed for exterior complex backhaul and networking applications with an IP 40 rated Zinc alloy shell. It supports 8 lines network signals and provides surge protection for PoE wires for 10KV surge protection. Peak Surge Current is up to 10KA. It supports 10/100/1000Mbps of data rates. Ideal for 120W(max) PoE wires and well protects your devices against surge damage.

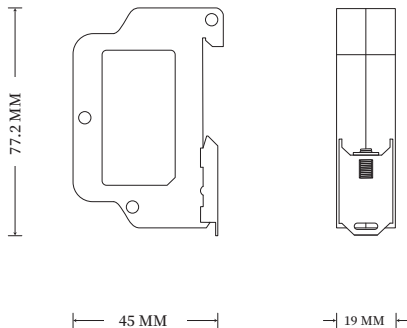
PT-PR01G-DIN operates from -40°C to +85°C and works with voltage of 60Vdc (max). Either port can be PoE in or PoE out.

It is connected to network over Cat5e/Cat6 cables with RJ45 connector conveniently and tightly. This model equipped standard DIN rail mounting bracket, which can easily jam into the guide rail. The DIN rail as a ground wire to transmit the current to the earth.

Appearance



- 1.Sliding Clip
- 2.RJ45 Input or Output



1 Product Diagram

2 Dimensions

Specification

Model	PT-PR01G-DIN
Operating Voltage	60Vdc Max
PoE Standard	IEEE802.3 af /at / bt / PoE++
Max Operating DC Current	1A for 2 pairs, 2A for 4 pairs
Max Operating Power	120W
Operating Temp.	-40 to 85
Network Protocol	IEEE802.3i/IEEE802.3u/IEEE802.3ab
Data Speed	10/100/1000Mbps
EMC	EN 55032:2015/A11:2020 EN 55035:2017/A11:2020
Dimensions & NW	77.2mm X 45mm X 19mm 115g

Troubleshooting

Failure Phenomena	Cause Analysis	Solutions
PD not working	Not plugged in the PoE input	plug into the cable to the input port
	Poor network cable contact or network cable failure.	Re-plug the network cable or replace the network cable.
	PD Damage	PD replacement
Data Transmission Abnormality	Check if the total length of the network connection cable exceeds 100 meters.	Shorten the connection distance, or add an extender/ repeater.
	Signal source malfunction	Check if the switch working properly.
	Ethernet data transmission failure	Check if the cable comply with the EIA/TIA568B or 568A.

Caution

1. Please read the instructions carefully and follow the standard operating procedures before using.
2. Please place it in a well-ventilated and dry area, and it is for indoor use only.
3. Connect a CAT5/5e cable with the RJ45 connector into either RJ45 socket. On the other end of the CAT5/5e cable, connect to your PoE Device (such as an IP Camera, etc.). Connect the SPD closer to the protected device.
4. Connect a CAT5/5e cable with the RJ45 connector into either RJ45 socket. On the other end of the CAT5/5e cable, connect to your PoE source Device (such as a PoE switch, etc.). Connect the SPD closer to the protected device.
5. The total Ethernet cable length can not exceed 100 meters. Each SPD(surge protector device) can only protect one network equipment.
6. The device must be placed on a stable surface, preferably affixed and mounted permanently. Do not leave it "dangling" and use plugged-in cables in tension as support. Drops, falls, and impacts experienced by the injector can compromise the internal components & cause premature failure.
7. Do not place heavy objects on top of this injector.