

PT-PSE109GBRO-D PoE Injector

User Manual



WWW.PROCETPOE.COM

Declaration

Copyright ©2022Creative Lianjie Network Technology Co.Ltd All rights reserved.

This document belongs to PROCET company. It is not allowed to reproduce and modify without the original author's permission. It is PROCET's policy to improve its products as new technology, components, software, and firmware at any time. PROCET, therefore, reserves the right to change specifications without prior notice.

Please follow WEEE (Waste Electrical and Electronic Equipment) disposal instructions for old electronic products.

Please do not dispose of the old product in your general household waste bin.



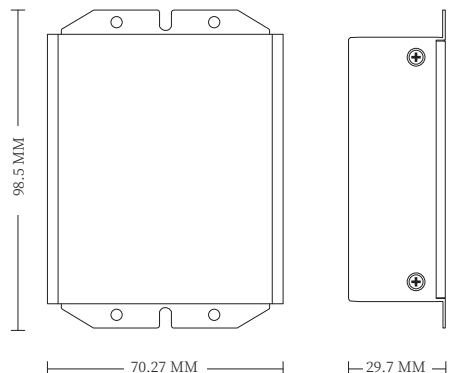
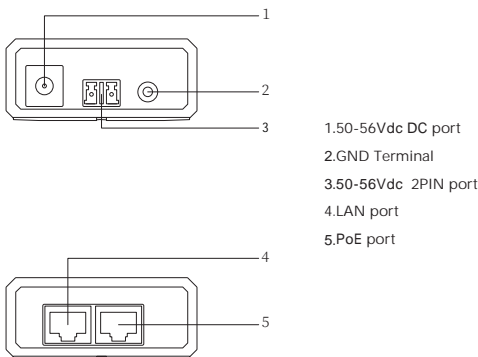
The symbol indicates that the product should not be discarded as unsorted waste but must be sent to separate collection facilities for recovery and recycling.

Overview

PT-PSE109GBRO-D is a single port industrial-rated DC to DC PoE injector. Enclosed in a high-impact metal shell. Two types of DC input which can be powered through a 2PIN terminal block or a DC jack. The input voltage range is 50-56Vdc.

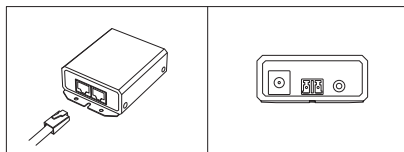
PoE output port with 6KV (10/700us) surge protection, which is compliant with 802.3af/at/bt standard that provides power up to 90W(Max) for remote PDs over 4 pairs at 10/100/1000Mbps of data speed. The effective distance is 100 meters over Cat5e/Cat6 cables. Working for wireless access points, network cameras, routers, and other high power Ethernet terminals. For longer distance request, our product PT-PEX01G-OT (outdoor or indoor PoE extender) can help.

Appearance



Specification

Input	Input	50-56Vdc 2.0A Max
	PoE Standard	IEEE802.3af/at/bt/PoE++
	Power Pins	4/5(+),7/8(-) & 3/6(+),1/2(-)
Output	Output	48-54Vdc 1.75A(Max 90W)
	Data Speed	10/100 / 1000Mbps
Operating Environment	Work Temp.	-40 to 65
	Operating Humidity	20%-80% , non-condensation
	Operating Altitude	Up to 2000 meters
	Storage Temp.	-20 to 70
	Storage Humidity	10%-90% , non-condensation
PoE Surge Protection	Protected line:1,2,3,4,5,6,7,8	
	Common mode surge protection(10/700us): 6kV	
	Differential mode surge protection (10/700us): 1.5KV	
Network Protocol	IEEE802.3/IEEE802.3u/IEEE802.3ab	
Media support	10 / 100 / 1000 BASE-TXCat5 or above UTP (328 feets)	
Regulatory Compliance	CE FCC	
IP Rated	IP40	
Dimension	98.5mm x 70.27mm x 29.7mm (192.1g)	
LED	PWR	Power indicator
	Active	PoE power indicator
EMC	FCC	FCC Part 15 Subpart B
	CE	EN 55032:2015/A11:2020
		EN 55035:2017/A11:2020



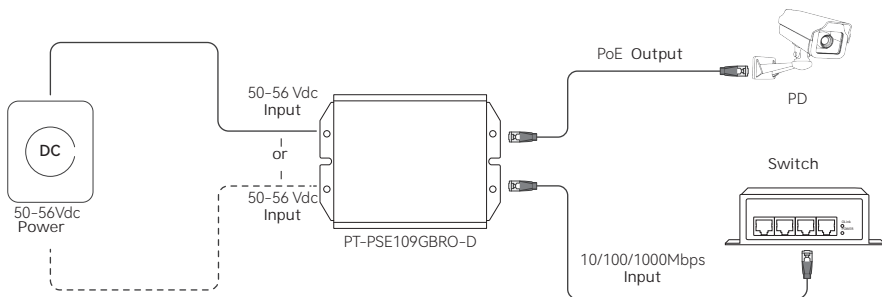
3 Connection Diagram

Caution

1. Connect a CAT5/5e/6 cable with the RJ45 connector into the RJ45 socket labeled PoE. On the other end of the CAT5/6 cable, connect to your PoE Device (such as IP Cameras etc). The total Ethernet cable length can not exceed 100 meters.
2. For LAN Port at 10/100/1000Mbps, connect another CAT5/5e/6 cable with RJ45 connector to the Ethernet data transfer.
3. Two types of DC input which can be powered through a 2PIN terminal block or a DC jack. Do not connect two DC inputs simultaneously.



- 1.please read the instructions carefully and follow the standard operating procedures before using.
- 2.Please place it in a well-ventilated and dry area, and it is for indoor use only.



Qualification Card

PASS

PROJET[®]
PoE System

Creative Lianjie Network Technology Co.Ltd
www.procetpoe.com