



PT-PIS4P1T

DC Multi-port POE Switch

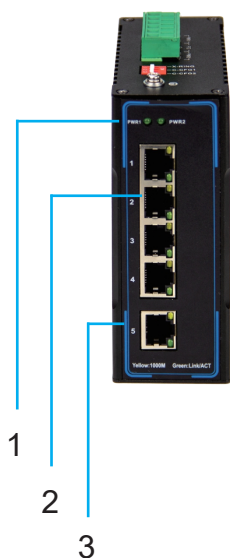
Introduction

PT-PIS4P1T, the DC input, industrial-scale, multi-port PoE Switch. It outputs high power 120w. Data speed 10/100/1000Mbps. Dual voltage input design for redundancy function, 50-57V DC power supply, anti-reverse connection, over-voltage and over-current protection.

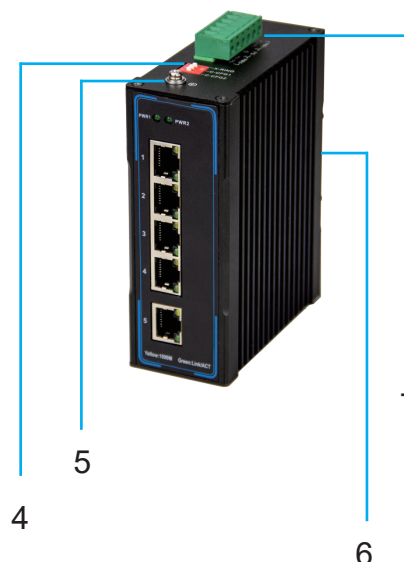
With card buckle design, and can install the guide rail easily. Supports 802.3af and 802.3at Powered devices.

It supports power for high powered devices, like wireless APs, IP cameras, base stations, gateways, and other high-power Ethernet devices.

Working environment temperature range of -40 °C to 85 °C, relative humidity range of 5%-95% without condensation, can adapt to all kinds of harsh environment.



1. Power
2. PoE output port
3. LAN input port
4. Dial switch (Reserved)

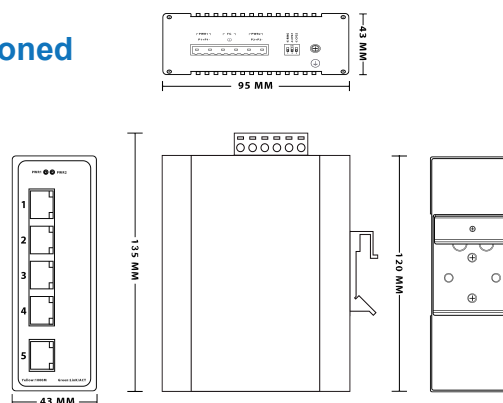


5. Earth terminal
6. Rail slot
7. DC input port

Key features

- With chip inside, power after detection PD
- Power Pins: 1/2(+), 3/6(-)
- Output power: 50-57VDC, 30W *4
- Industrial scale, working temperature: -40 to 85 °C
- High power, lower cost, easy installation
- Supports both 802.3af and 802.3at Powered devices

Dimensioned (mm)



Specification

Standards

- IEEE802.3 10Base-T Ethernet
- IEEE802.3u 100Base-Tx Fast Ethernet
- IEEE802.3ab 1000Base-T Gigabit Ethernet
- IEEE802.3af/802.3at Power over Ethernet standard
- WEEE Compliant,CE/FCC

Port power

- Port : 4*10/100/1000 Base-T Support IEEE802.3af/802.3at Power over Ethernet standard
1*10/100/1000 Base-T
- Ethernet Pin: 1/2(+),3/6(-)
- Data Speed: 10/100/1000BASE-T RJ45 Interfaces
- Output voltage per port:50-57V
- Output current per port: 0.6A
- Input voltage: 50-57VDC
- Required DC input current: 3.0A

Dimensions & Weight

- Size: 125mm(L) X 95mm(W) X 45mm(H)
- Weight: 0.55kg

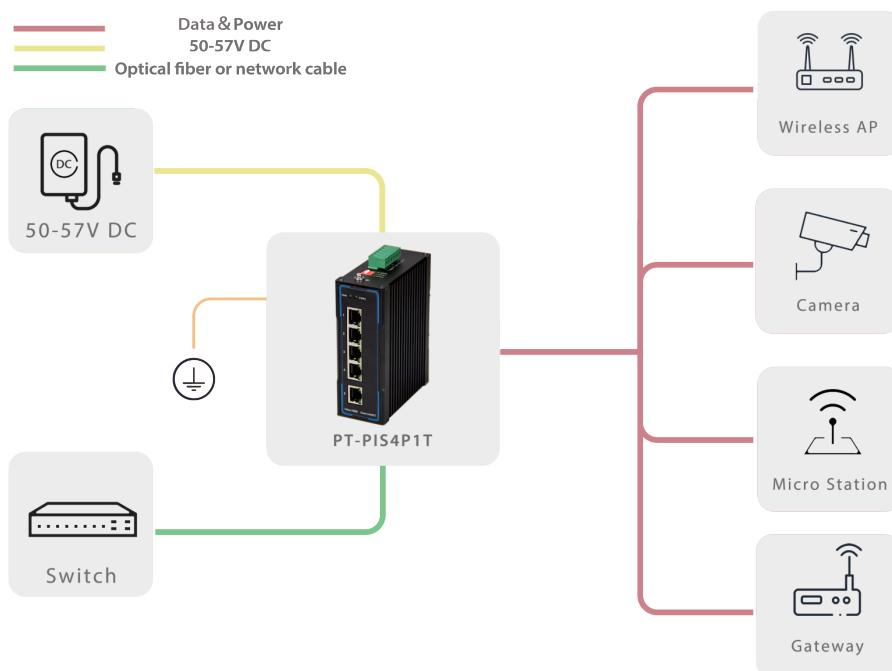
Environmental conditions

- IP level: IP40
- Operating Ambient Temperature:-40℃ to 85℃
- Operating Height:-304.8 meter to 3048 meters
- Operating Humidity:Maximum 95%,Non-condensing
- Network port Surge immunity: IEC 61000-4-5 Level 4
- Electrical fast transient/burst immunity: IEC 61000-4-4 Level 4
- Electrostatic discharge immunity: IEC 61000-4-2 Level 4

LED indication

- Power LED: Green
- PoE Load Indicator: Green&Yellow 1000Mbps
- PoE Load Indicator: Green <1000Mbps
- LAN Indicator: Green&Yellow 1000Mbps
- LAN Indicator: Green <1000Mbps

Work functional picture



Order Info. PT-PIS4P1T

Packing PT-PIS4P1T x 1
Product manual x 1