



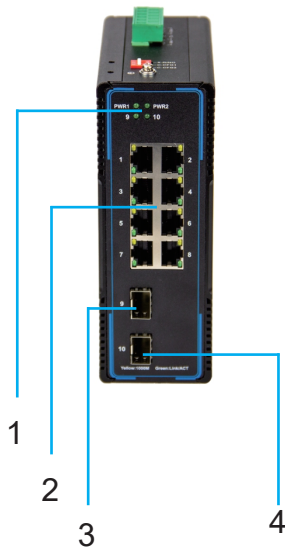
PT-PIS8P2S

DC Multi-port POE Switch

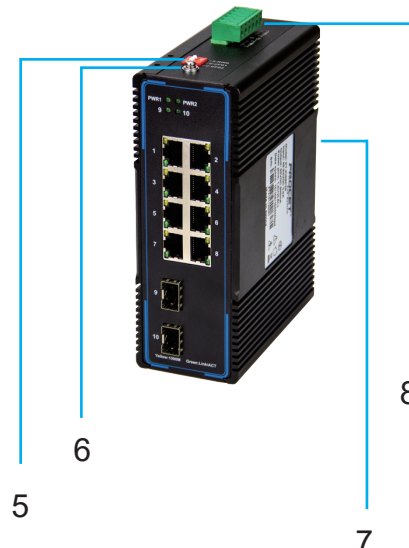
Introduction

PT-PIS8P2S, the DC input, industrial-scale, multi-port PoE Switch. It outputs high power 240W. Data speed 10/100/1000Mbps. Dual voltage input design for redundancy function, 50-57V DC power supply, anti-reverse connection, over-voltage and over-current protection. With card buckle design, and can install the guide rail easily. Supports 802.3af and 802.3at Powered devices.

It supports power for high powered devices, like wireless APs, IP cameras, base stations, gateways, and other high-power Ethernet devices. Working environment temperature range of -40 °C to 85 °C, relative humidity range of 5%-95% without condensation, can adapt to all kinds of harsh environment.



1. Power and optical fiber indicators
2. PoE output port
3. SFP port 1
4. SFP port 2

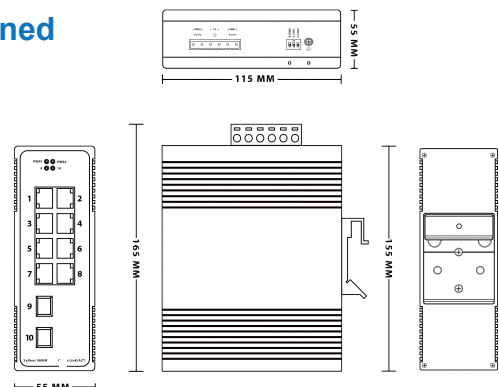


5. Dial switch (Reserved)
6. Earth terminal
7. Rail slot
8. DC input port

Key features

- With chip inside, power after detection PD
- Power Pins: 1/2(+), 3/6(-)
- Output power: 50-57VDC, 30W *8
- Industrial scale, working temperature: -40 to 85 °C
- High power, lower cost, easy installation
- Supports both 802.3af and 802.3at Powered devices

Dimensioned (mm)



Specification

Standards

- IEEE802.3 10Base-T Ethernet
- IEEE802.3u 100Base-Tx Fast Ethernet
- IEEE802.3ab 1000Base-T Gigabit Ethernet
- IEEE802.3z 1000Base-X Fiber Optic Ethernet
- IEEE802.3af/802.3at Power over Ethernet standard
- WEEE Compliant,CE/FCC

Port power

- Port : 8*10/100/1000 Base-T Support IEEE802.3af/802.3at Power over Ethernet standard
2*1000 Base-X
- Ethernet Pin: 1/2(+),3/6(-)
- Data Speed: 10/100/1000BASE-T RJ45 Interfaces
1000BASE-X SFP Interfaces
- Output voltage per port:50-57V
- Output current per port: 0.6A
- Input voltage: 50-57VDC
- Required DC input current: 5.0A

Dimensions & Weight

- Size: 155mm(L) X 115mm(W) X 55mm(H)
- Weight: 1.10kg

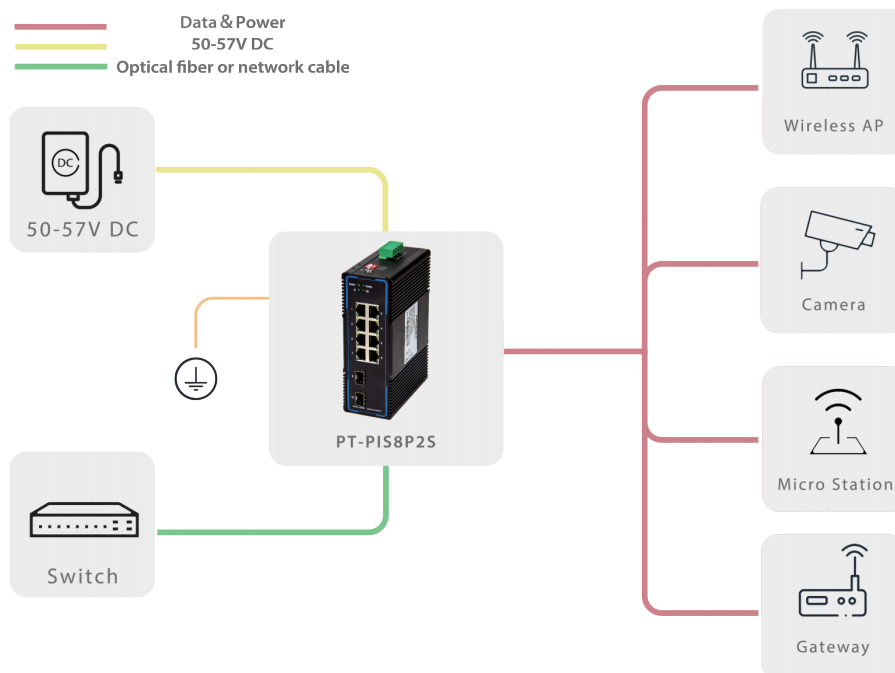
Environmental conditions

- IP level: IP40
- Operating Ambient Temperature:-40℃ to 85℃
- Operating Height:-304.8 meter to 3048 meters
- Operating Humidity:Maximum 95%,Non-condensing
- Network port Surge immunity: IEC 61000-4-5 Level 4
- Electrical fast transient/burst immunity: IEC 61000-4-4
Level 4
- Electrostatic discharge immunity: IEC 61000-4-2 Level 4

LED indication

- Power LED: Green
- PoE Load Indicator: Green&Yellow 1000Mbps
- PoE Load Indicator: Green <1000Mbps
- SFP LED: Green
- LAN Indicator: Green&Yellow 1000Mbps
- LAN Indicator: Green <1000Mbps

Work functional picture



Order Info. PT-PIS8P2S

Packing PT-PIS8P2S x 1
Product manual x 1