



PT-PSE105GBS-E

Industrial DC Input Fiber PoE Injector

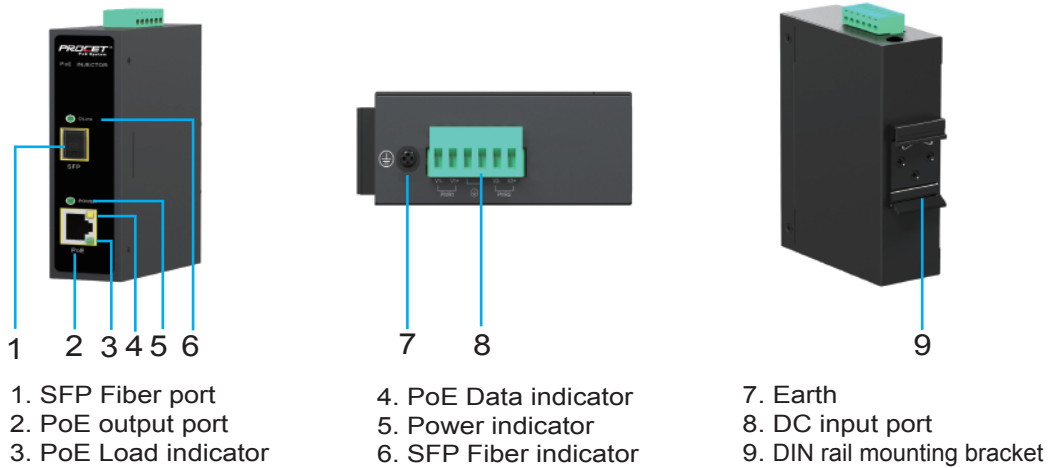
Product Overview

PT-PSE105GBS-E is a single-port, industrial-scale, boost PoE injector with fiber port. It provides 55Vdc, 1.75A power for remote PDs over full 4 pairs output with 6KV (10/700us) surge protection. 1 SFP uplink enable distance extension over fiber optic cabling to PoE Powered Devices (PDs), 1000Base-X to 10/100/1000Base-TX. It works for 95W PoE PDs, such as wireless access points, network cameras, Microwave radios and other high power Ethernet terminals. It is also compatible and safe to use with any IEEE802.3 af/at/btcompliant terminals.

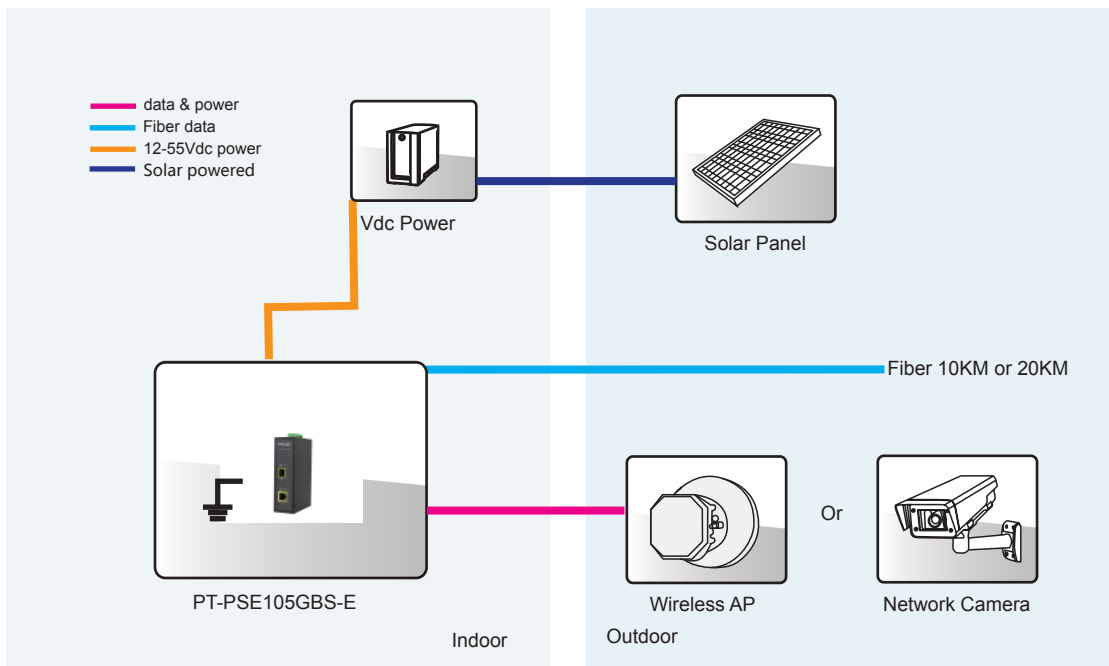
PT-PSE105GBS-E is designed for indoor use but can work outdoor by covered with waterproof case. It works with input voltage of 12-55Vdc and operates under -40 °C to 75 °C. It has detection chip inside, which will detect and classify PD before powering it. It will not apply power until a standard-compliant PD is detected. The effective distance is 100 meters over Cat5e/Cat6 cables. This model equipped standard DIN rail mounting bracket, which can easily jam into the guide rail.



Product Profile



Product Working Diagram



Specification

Standard

- IEEE802.3 10Base-T Ethernet
- IEEE802.3u 100Base-Tx Fast Ethernet
- IEEE802.3ab 1000Base-T Gigabit Ethernet
- Full compliant with IEEE802.3af/at/bt
- RoHS Compliance
- WEEE Compliance

Input & Output

- Input :12-55Vdc 10.0A
- Output: 55Vdc 1750mA
- Power Pins: 4/5(+), 7/8(-) & 3/6(+),1/2(-)
- Data Speed: 10/100/1000BASE-T RJ45 Interfaces
1000BASE-X SFP Interfaces

Working Environment

- Operating Temperature: -40℃ to 75℃
- Operating Humidity: 20% to 80%, non-condensation
- Storage Temperature: -40℃ to 85℃
- Storage Humidity: 10% to 90%, non-condensation
- Operating Altitude: up to 5000meters

PoE Surge Protection

- Protected line: 1,2,3,4,5,6,7,8
- Common mode surge protection(10/700us): 6KV
- Differential mode surge protection (10/700us): 1.5KV

Mechanical Characteristics

- Case: Metal
- Color: Black
- Mounting: DIN-rail
- IP Rated: IP40
- Size: 144.5mm X 95mm X 35.4mm
- Weight: 485g

Safety Approvals

- CE

EMI

- FCC CFR47 Part 15, EN55032, EN55035

EMS

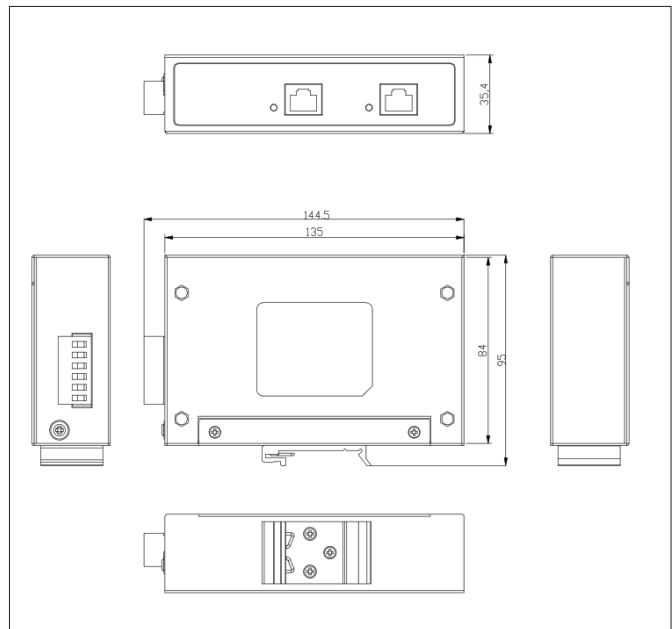
- IEC61000-4-2(ESD) ± 6kV(contact), ±8kV(air)
- IEC61000-4-3(RS) 10V/m(80MHz~2GHz)
- IEC61000-4-4(EFT) Power Port: ±2kV; Data Port:±1kV
- IEC61000-4-5(Surge) Power Port:±1kV/DM, ±2kV/CM
- IEC61000-4-6(CS) 10V(150kHz~80MHz)

Immunity

- IEC60068-2-6(Vibration)
- IEC60068-2-27(Impact)
- IEC60068-2-32(Free Fall)

LED Indicator

- Power Indicator : Green
- PoE Load Indicator : Green
- SFP fiber indicator: Green
- PoE data indicator: Yellow



Order Info. PT-PSE105GBS-E

55Vdc/1.75A/1000Mbps/(4,5+,7,8-) & 3/6(+),1/2(-) /Surge Protection/Active

Packing

PT-PSE105GBS-E
Ground lug Wire: 16AWG
Manual x 1

This document belongs to PROCET company. It is not allowed to reproduce and modify without the original author's permission. It is PROCET's policy to improve its products as new technology, components, software, and firmware at any time. PROCET, therefore, reserves the right to change specifications without prior notice. (2021.11)