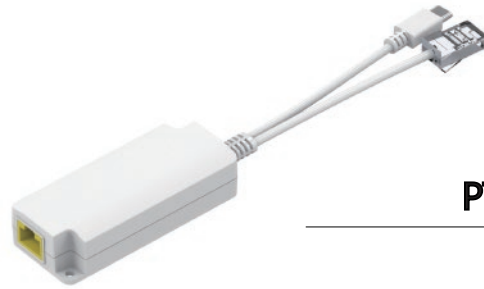


5V Output USB-C PoE Splitter

Product Overview

PTC-AF-5V is an indoor rated PoE USB-C splitter specially designed for complex backhaul and networking application. Enclosed in an IP40 fire retardant plastic case with compact design.

It works as a converter to get power and data from PoE injector or PoE Switch of 802.3af/at over RJ45 connector then separate power and data to PDs.

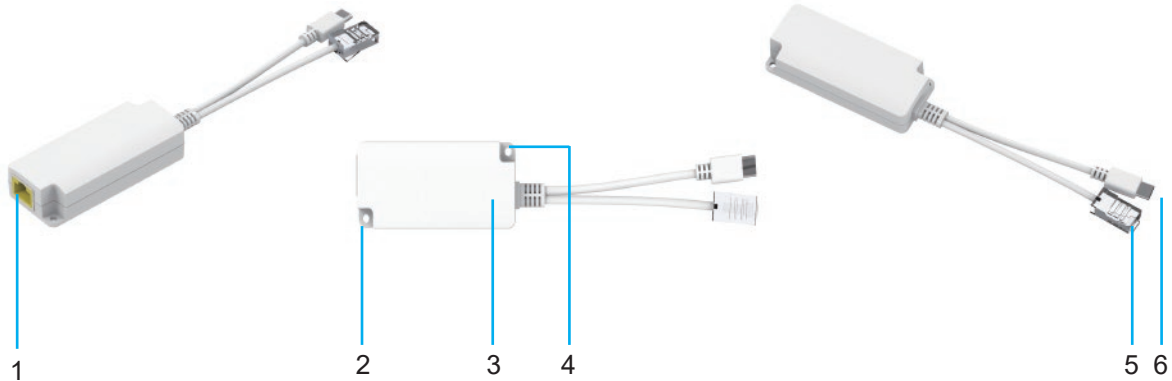


PTC-AF-5V

The output power is 5Vdc, 2.5A(max) via USB-C Male connector to PDs. Such as computers, iPad, Macbook, Google Wifi, Tablet PC, and other USB-C devices.

PoE signal into a separate data signal at 10/100Mbps. For planning purposes, the effective distance is 100 meters via Cat5e/Cat6 cables from Ethernet data source to PD.

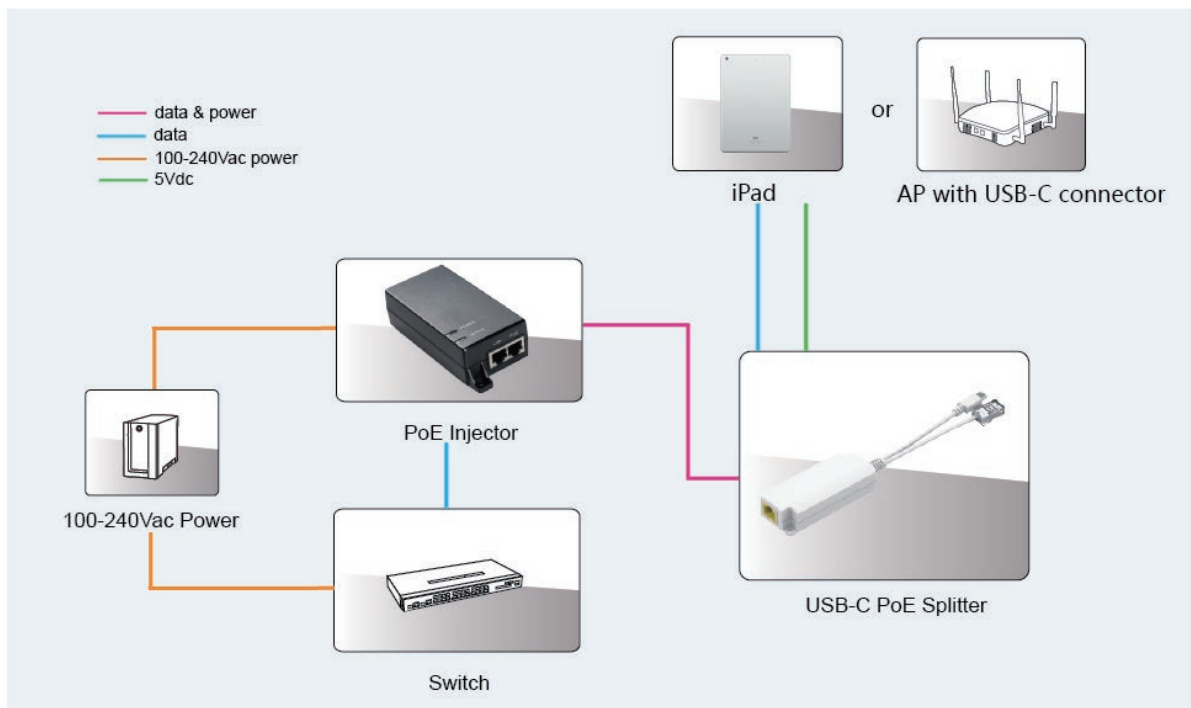
Product Profile



1. PoE: Data&Power input port
2. 4. Mounting holes
3. USB-C output indicator

5. LAN output port
6. USB-C Male port

Product Working Diagram



Specification

Standard

- IEEE802.3 10Base-T Ethernet
- IEEE802.3u 100Base-Tx Fast Ethernet
- Support PoE injector with IEEE802.3af/at
- RoHS Compliance
- WEEE Compliance

Input & Output

- Input :40-57Vdc PoE injector/PoE Switch 802.3af/at
- Input Power Pins: 4/5(+), 7/8(-) or 3/6(+),1/2(-)
- Output: 5Vdc 2.0A @0℃ to 55℃,
5Vdc 2.5A(max) @0℃ to 40℃,
- Data Speed: 10/100Mbps

Working Environment

- Operating Temperature: 0℃ to 40℃
- Operating Humidity: 20% to 80%, non-condensation
- Storage Temperature: -20℃ to 70℃
- Storage Humidity: 10% to 90%, non-condensation
- Operating Altitude: up to 2000meters

Mechanical Characteristics

- Case: Plastic
- Color: white
- Mounting: Wall-mounted
- IP Rated: IP40
- Size: (82.3+124.81)mm X 34.7mm X 19mm
- Weight: 200g
- Connectors: RJ45 Female*1, RJ45 Male*1
USB-C Male*1

EMI

- FCC CFR47 Part 15, EN55032, EN55035

EMS

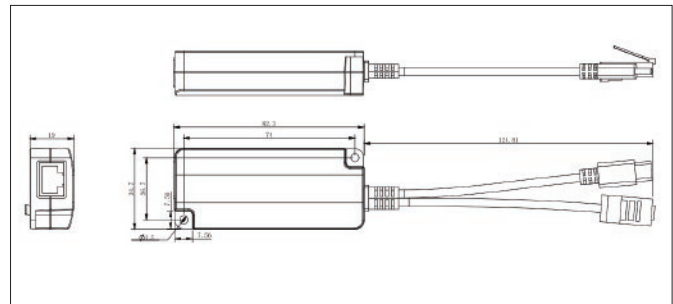
- IEC61000-4-2(ESD) Air discharge: 8kV,
Contact discharge: 4kV, Performance B
- IEC61000-4-3(RS) 80~1000MHz,3V/m,80%AM(1kHz),
Performance A
- IEC61000-4-4(EFT) AC Power line: 1kV, Performance B
DC Power line:0.5kV,Performance B
Signal line:0.5kV, Performance B

Immunity

- IEC60068-2-6(Vibration)
- IEC60068-2-27(Impact)
- IEC60068-2-32(Free Fall)

LED Indicator

- Power output Indicator : Green



Order Info. PTC-AF-5V

5Vdc/2.5A/10/100Mbps/4,5(+),7,8(-) or 3,6(+),1,2(-)/PoE to USB-C

Packing. PTC-AF-5V
Manual x 1

This document belongs to PROCET company. It is not allowed to reproduce and modify without the original author's permission. It is PROCET's policy to improve its products as new technology, components, software, and firmware at any time. PROCET, therefore, reserves the right to change specifications without prior notice. (2021.11)