



2.5GbE/5GbE Wide Temp 30W PoE Injector

PT-PSE104GO-30-5

Product Overview

PT-PSE104GO-30-5 is a single port PoE Injector. It provides 55Vdc, 0.55A power for remote PDs over 2 pairs output. It supports not only 10/100/1000Mbps of data speed, but also 2.5GbE/5GbE NBase-T. It works for 30W PoE PDs, such as wireless APs, Network cameras, IP Phones and other high power Ethernet terminals. It fully complies to IEEE802.3af/at PoE standard.

PT-PSE104GO-30-5 is designed for indoor use. It works with input voltage of 100-240Vac and operates under -40 °C to +65 °C. It has detection chip inside, which will detect and classify PD before powering it. It will not apply power until a standard-compliant PD is detected. The effective distance is 100 meters over Cat5e/Cat6 cables.



Product Profile

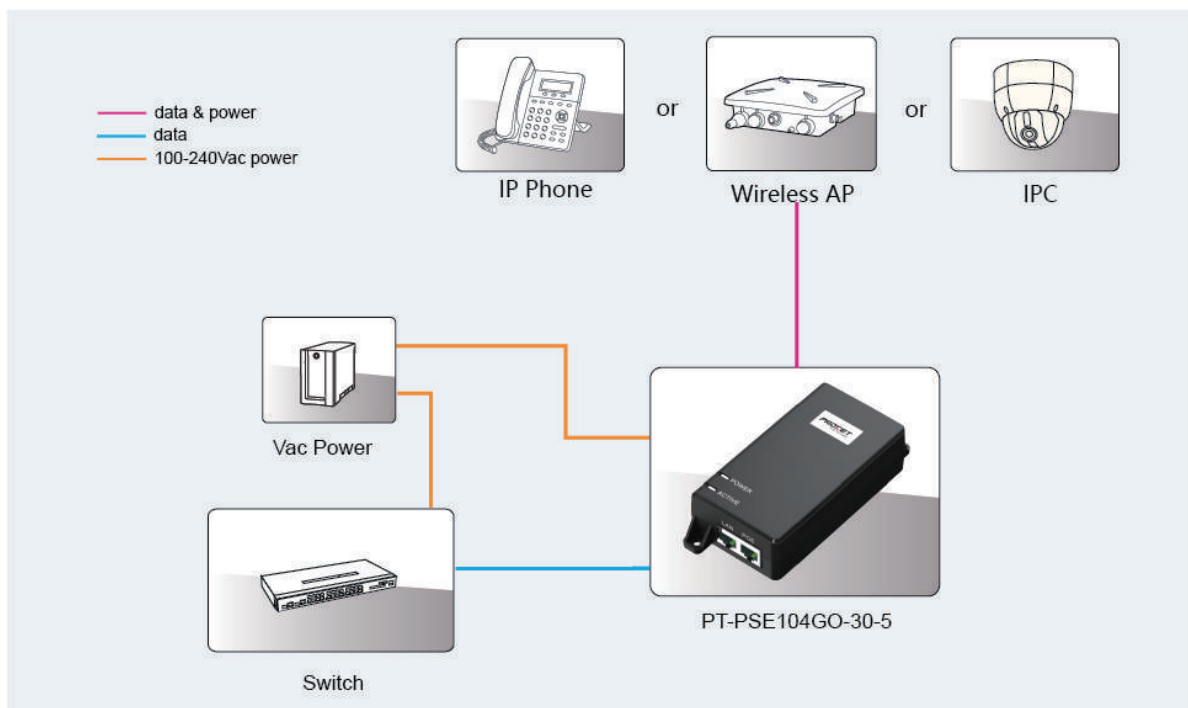


1. Power Indicator
2. PoE Load Indicator
3. LAN: Data Input Port



4. PoE: Data & Power Output Port
6. AC Power Input Port
- 5,7. Mounting Hole

Product Working Diagram



Specification

Standard

- IEEE802.3 10Base-T Ethernet
- IEEE802.3u 100Base-Tx Fast Ethernet
- IEEE802.3ab 1000Base-T Gigabit Ethernet
- IEEE802.3bz 2.5GbE/5GbE NBASE-T
- Full compliant with IEEE802.3af/at
- RoHS Compliance
- WEEE Compliance

Input & Output

- Input :100-240Vac 1.5A 50/60Hz
- Output: 55Vdc 550mA
- Power Pins: 4/5(+), 7/8(-)
- Data Speed: 10/100/1000Mbps & 2.5/5GbE

Working Environment

- Operating Temperature: -40℃ to 65℃
- Operating Humidity: 20% to 80%, non-condensation
- Storage Temperature: -40℃ to 85℃
- Storage Humidity: 10% to 90%, non-condensation
- Operating Altitude: up to 5000meters

AC Surge Protection

- 1.0KV (5P/5N)
- L-N 1.2/50 (8/20) Tr/Th us
- 2.0KV (5P/5N)
- L-PE 1.2/50 (8/20) Tr/Th us
- N -PE

Mechanical Characteristics

- Case: Plastic
- Color: Black
- Mounting: Wall-mounted
- IP Rated: IP40
- Size: 145.51mm X 65.8mm X 33.5mm
- Weight: 255g

Safety Approvals

- cUL/UL
- FCC
- CE

EMI

- FCC CFR47 Part 15, EN55032, EN55035

EMS

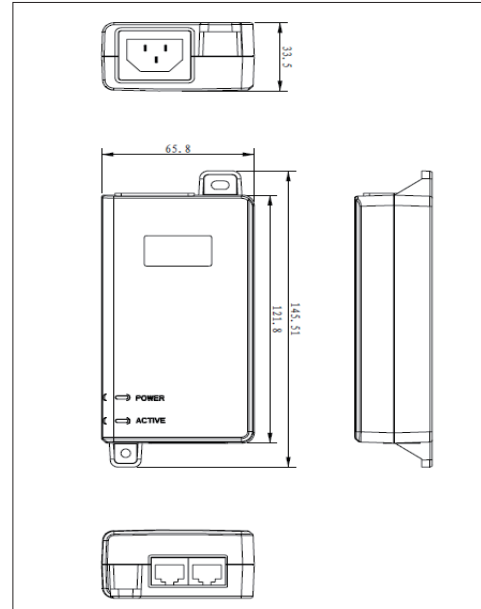
- IEC61000-4-2(ESD) $\pm 6kV$ (contact), $\pm 8kV$ (air)
- IEC61000-4-3(RS) 10V/m(80MHz~2GHz)
- IEC61000-4-4(EFT) Power Port: $\pm 2kV$; Data Port: $\pm 1kV$
- IEC61000-4-5(Surge) Power Port: $\pm 1kV/DM$, $\pm 2kV/CM$
- IEC61000-4-6(CS) 10V(150kHz~80MHz)

Immunity

- IEC60068-2-6(Vibration)
- IEC60068-2-27(Impact)
- IEC60068-2-32(Free Fall)

LED Indicator

- Power Indicator : Green
- PoE Load Indicator : Green



Order Info. PT-PSE104GO-30-5

55Vdc/0.55A/2.5Gbps/5Gbps/(4,5+,7,8-) /Wide temperature/Active

Packing. PT-PSE104GO-30-5
Power Cord x 1 (Optional)
Manual x 1