



Outdoor Fiber 95W SFP+ PoE Converter

PT-PSE108GBRS-OT-10

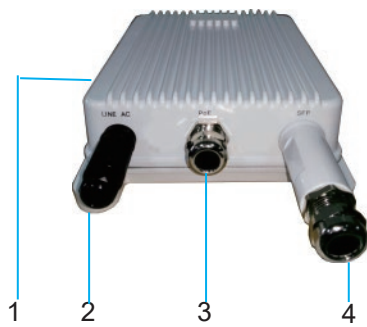
Product Overview

PT-PSE108GBRS-OT-10 is an outdoor rated SFP+ media converter with PoE functionality which can be used as PoE Injector offers a unique solution to powering long range installations, where the data input comes over 10G fiber. Speciall designed for exterior, complex back-haul and networking applications, special scenarios, like highway side, exurb, etc.

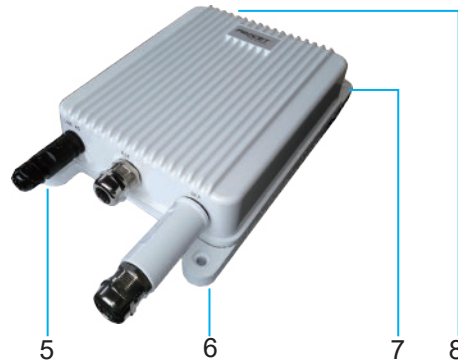
Enclosed in a IP67 reflective Aluminum case with a sealing that gasket passes tension, bearing, corrosion, and aging test for IP67 applications. Pass salt spray resistance test Including 1 AC input port, 1 SFP+ port at 10GBASE-X and 1 PoE output ports with 6KV (10/700us) surge protection.

After negotiating 802.3af/at/PoE++ standard PoE, the single PoE output port delivers 55Vdc, 1.75A up to 95W power with 6KV surge protection for remote PDs over 4 Pair at 10/100/1000Mbps and 2.5G/5G/10G data rates. The effective distance is 100 meters over Cat5e/Cat6 cables. Low power devices receive only the power they need. It fully complies with PoE++ and remains compatible with any IEEE802.3af/at compliant devices, such as Wi-fi 6, wireless APs, Microwave radio, IoT application, door locks, IP Cameras, information kiosks and other PoE devices. Operates under -40 C to +65 C . Easily to install with installation kit (Sold separately), no need to open the equipment.

Product Profile

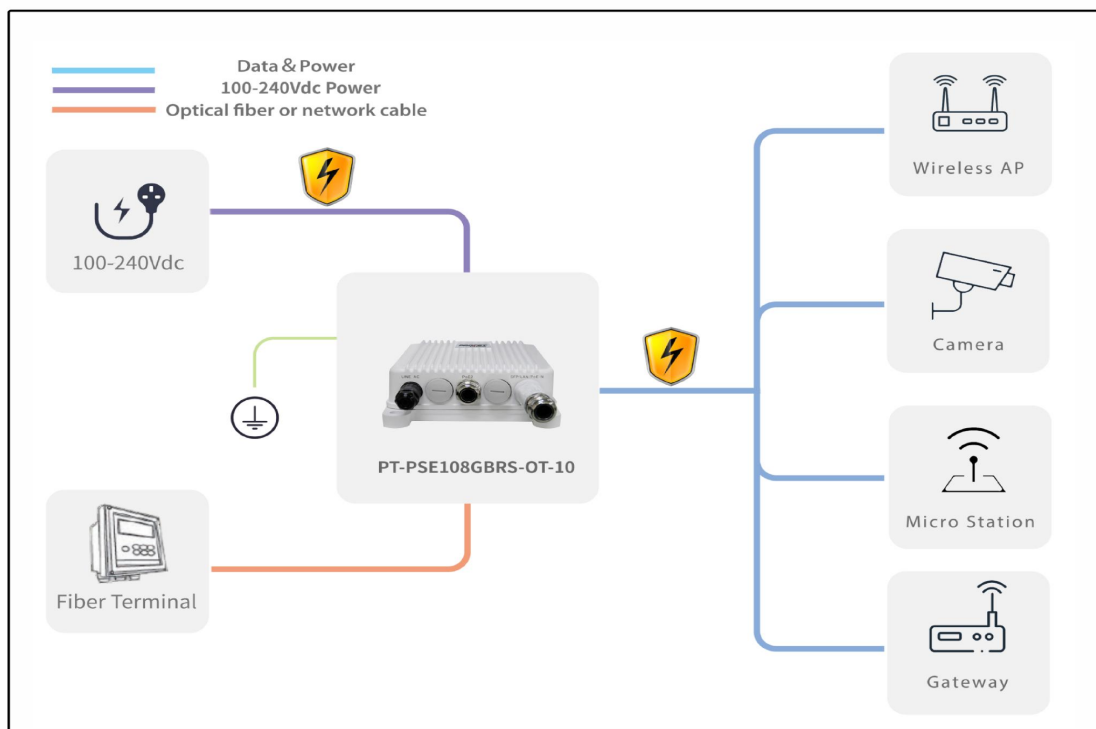


- 1. Earth
- 2. LINE AC: AC Power Input Port
- 3. PoE: Data&Power Output Port



- 4. SFP: Data Input Port
- 5,6,7,8. Mounting Hole

Product Working Diagram



Specification

Standard

- IEEE 802.3u 100BaseTX Fast Ethernet
- IEEE802.3ab 1000Base-T Gigabit Ethernet
- IEEE 802.3bz 2.5G/5GBase-T
- IEEE 802.3an 10GBase_t
- IEEE 802.3ae 10Gbps Ethernet
- Full compliant with IEEE802.3af/at, PoE++
- RoHS Compliance
- WEEE Compliance

Input & Output

- Input :100-240Vac 2.0A 50/60Hz
- Output: 55Vdc 1750mA
- Power Pins: 3/6(+), 1/2(-), 4/5(+), 7/8(-)
- Data Speed: 10GBASE-X SFP+ slot
- 10G/5G/2.5G/1G BASE-T auto-negotiation RJ45 Interfaces

Working Environment

- Operating Temperature: -40 C to 65 C
- Operating Humidity: 20% to 80%, non-condensation
- Storage Temperature: -40 C to 85 C
- Storage Humidity: 10% to 95%, non-condensation
- Operating Altitude: up to 5000meters

AC Surge Protection

- Line-Line 1.2/50us(8/20us): 4KV
- Line-Earth 1.2/50us(8/20us): 6KV

PoE Surge Protection

- Protected line: 1,2,3,4,5,6,7,8
- Common mode surge protection(10/700us): 6KV
- Differential mode surge protection (10/700us): 1.5KV

EMI

- FCC CFR47 Part 15, EN55024, EN55032

EMS

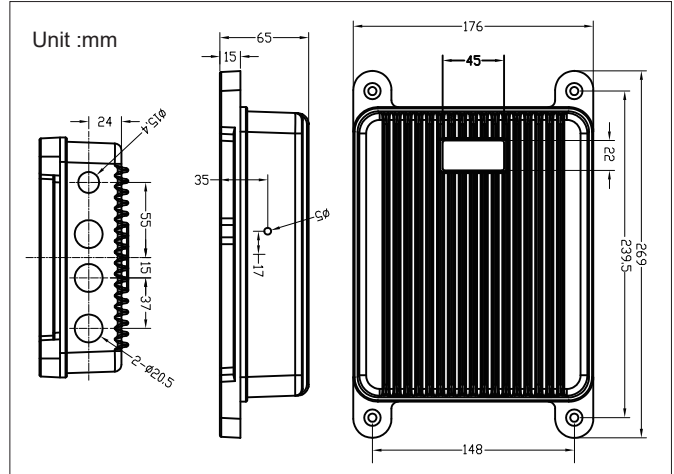
- IEC61000-4-2(ESD) ± 6kV(contact), ±8kV(air)
- IEC61000-4-3(RS) 10V/m(80MHz~2GHz)
- IEC61000-4-4(EFT) Power Port: ±2kV; Data Port:±1kV
- IEC61000-4-5(Surge) Power Port:±1kV/DM, ±2kV/CM
- IEC61000-4-6(CS) 10V(150kHz~80MHz)

Immunity

- IEC60068-2-6(Vibration)
- IEC60068-2-27(Impact)
- IEC60068-2-32(Free Fall)

Mechanical Characteristics

- Case: Aluminum
- Color: White
- Mounting: Wall-mounted/Pole-mounted
- IP Rated: IP67
- Size: 176mm X 269mm X 65mm
- Weight: 1.8kg



Order Info. PT-PSE108GBRS-OT-10 55Vdc/1.175/10G Fiber/3,6(+), 1,2(-), 4,5(+), 7,8(-)/Surge Protection/IP67

Packing PT-PSE108GBRS-OT-10
Manual x 1

Option PT-POT-MBK Outdoor installation Kit(Sold separately)

This document belongs to Lindsay company. It is not allowed to reproduce and modify without the original author's permission. It is Lindsay's policy to improve its products as new technology, components, software, and firmware at any time. PROCET, therefore, reserves the right to change specifications without prior notice. (2021.12)