



PT-PSE105GBS-D-10

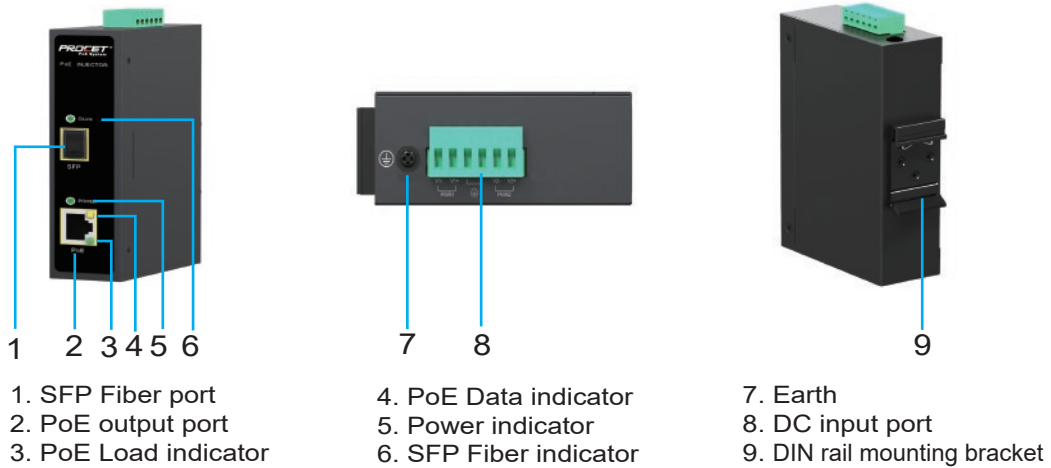
Industrial DC Input 10G Fiber PoE

Product Overview

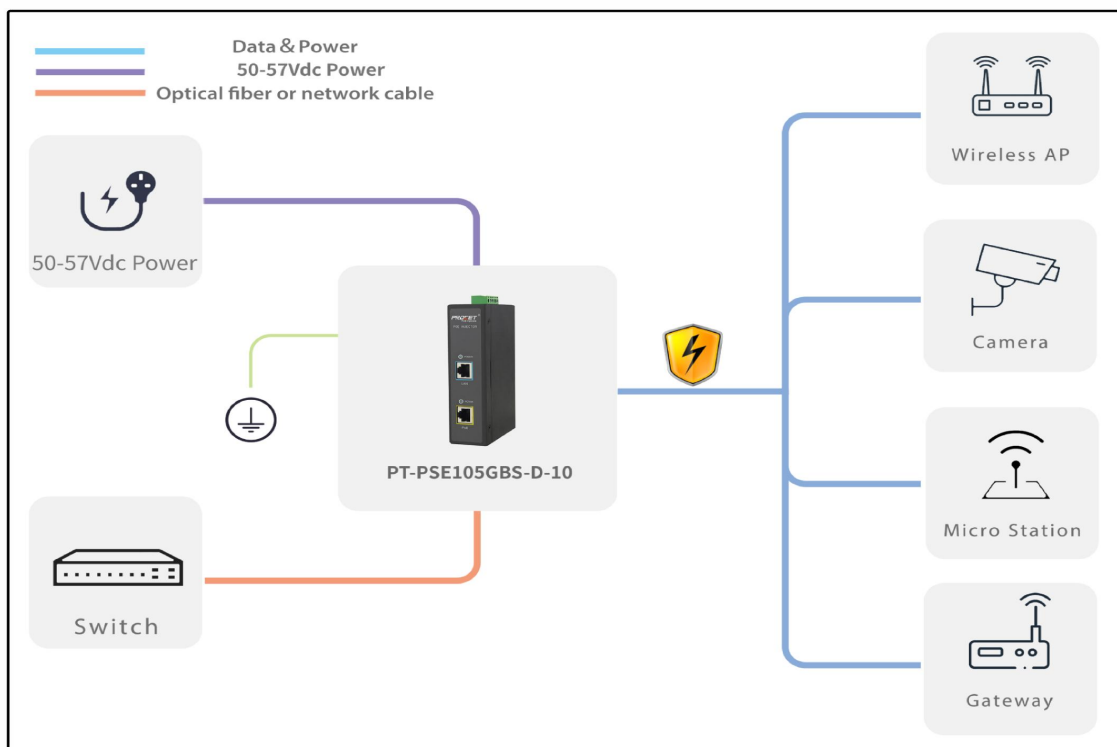
PT-PSE105GBS-D-10 is a single-port, industrial-scale, PoE media converter with PoE function. It provides 95W(max) power for remote PDs over full 4 pairs output with 6KV (10/700us) surge protection. 1 SFP+ uplink at 10G Fiber high speed enable distance extension over fiber optic cabling to PoE Powered Devices (PDs), 10GBASE-X SFP+ to 10G Base-T. It works for 95W PoE PDs, such as wireless access points, network cameras, Microwave radios and other high power Ethernet terminals. It is also compatible and safe to use with any IEEE802.3 af/at/bt compliant terminals.

PT-PSE105GBS-D-10 is designed for indoor use but can work outdoor by covered with waterproof case. It works with input voltage of 50-57Vdc and operates under -40℃ to 65℃. It has detecting chip inside, which will detect and classify PD before powering it. It will not apply power until a standard-compliant PD is detected. The effective distance is 100 meters over Cat5e/Cat6 cables. This model equipped standard DIN rail mounting bracket, which can easily jam into the guide rail.

Product Profile



Product Working Diagram



Specification

Standard

- IEEE 802.3u 100BaseTX Fast Ethernet
- IEEE802.3ab 1000Base-T Gigabit Ethernet
- IEEE 802.3bz 2.5G/5GBase-T
- IEEE 802.3an 10GBase-t
- IEEE 802.3ae 10Gbps Ethernet
- Full compliant with IEEE802.3af/at/bt
- RoHS Compliance
- WEEE Compliance

Input & Output

- Input :50-57Vdc 2.0A
- Output: 48-55Vdc 1750mA
- Power Pins: 4/5(+), 7/8(-) & 3/6(+),1/2(-)
- Data Speed: 10GBASE-X SFP+ slot
10G/5G/2.5G/1G BASE-T auto-negotiation RJ45 Interfaces

Working Environment

- Operating Temperature: -40°C to 65°C
- Operating Humidity: 20% to 80%, non-condensation
- Storage Temperature: -40°C to 85°C
- Storage Humidity: 10% to 90%, non-condensation
- Operating Altitude: up to 5000meters

PoE Surge Protection

- Protected line: 1,2,3,4,5,6,7,8
- Common mode surge protection(10/700us): 6KV
- Differential mode surge protection (10/700us): 1.5KV

Mechanical Characteristics

- Case: Metal
- Color: Black
- Mounting: DIN-rail
- IP Rated: IP40
- Size: 144.5mm X 95mm X 35.4mm
- Weight: 485g

EMI

- FCC CFR47 Part 15, EN55032, EN55035

EMS

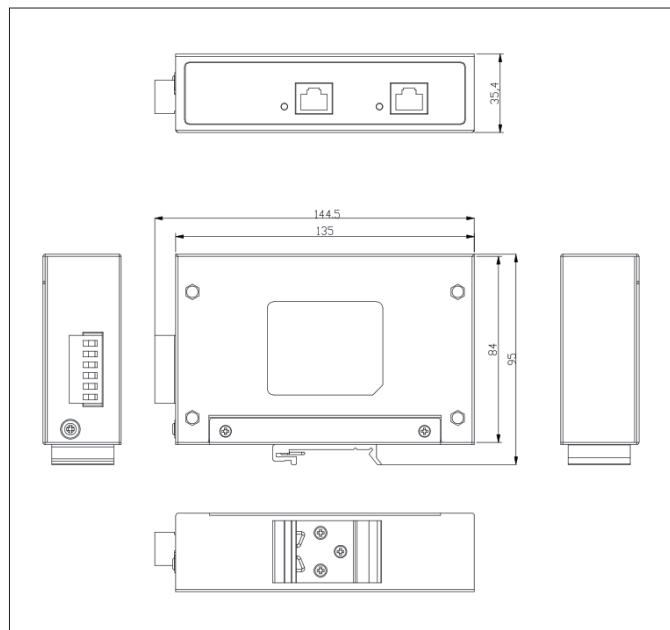
- IEC61000-4-2(ESD) ± 6 kV(contact), ± 8 kV(air)
- IEC61000-4-3(RS) 10V/m(80MHz~2GHz)
- IEC61000-4-4(EFT) Power Port: ± 2 kV; Data Port: ± 1 kV
- IEC61000-4-5(Surge) Power Port: ± 1 kV/DM, ± 2 kV/CM
- IEC61000-4-6(CS) 10V(150kHz~80MHz)

Immunity

- IEC60068-2-6(Vibration)
- IEC60068-2-27(Impact)
- IEC60068-2-32(Free Fall)

LED Indicator

- Power Indicator : Green
- PoE Load Indicator : Green
- SFP fiber indicator: Green
- PoE data indicator: Yellow



Order Info. PT-PSE105GBS-D-10 48-55Vdc/10G SFP+/(4,5+,7,8-) & 3/6(+),1/2(-) /Surge Protection/Active

Packing PT-PSE105GBS-D-10
Ground lug Wire: 16AWG
Manual x 1

This document belongs to PROCET company. It is not allowed to reproduce and modify without the original author's permission. It is PROCET's policy to improve its products as new technology, components, software, and firmware at any time. PROCET, therefore, reserves the right to change specifications without prior notice. (2021.12)