



Outdoor 802.3at PoE Injector

PT-PSE108GR-OT

Product Overview

PT-PSE108GR-OT is an outdoor rated PoE specially designed for exterior, complex backhaul and networking applications. Enclosed in a waterproof Reflective Aluminum case with a sealing that gasket passes tension, bearing, corrosion, and aging test for outdoor applications.

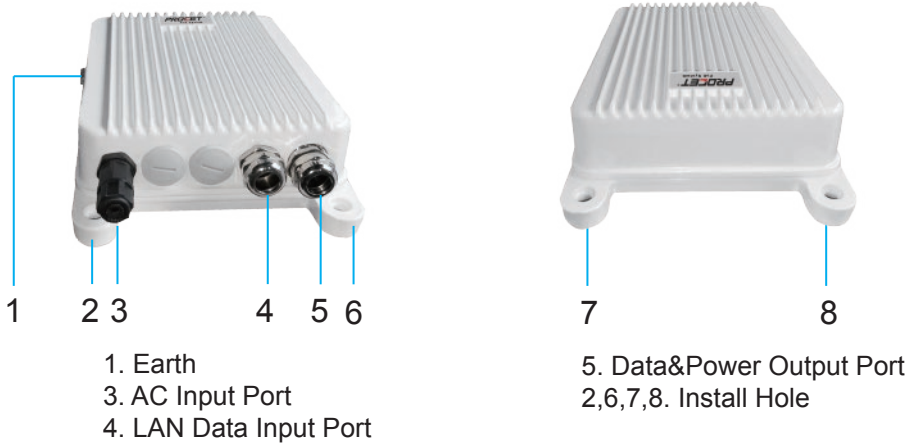
It provides 55Vdc, 0.55A power for remote PDs over 2 pairs output with 6KV (10/700us) surge protection at 10/100/1000Mbps of data speed. It works for IEEE802.3af/at PoE PDs, such as wireless APs, network camera, VoIP phone, base stations, and other Ethernet terminals.

PT-PSE108GR-OT works with 100-240Vac wide input and operates under -40°C to +65°C full loading. It has detection chip inside, which will detect and classify PD before powering it. It will not provide power until a standard-compliant PD is detected. The effective distance is 100 meters over Cat5e/Cat6 cables.

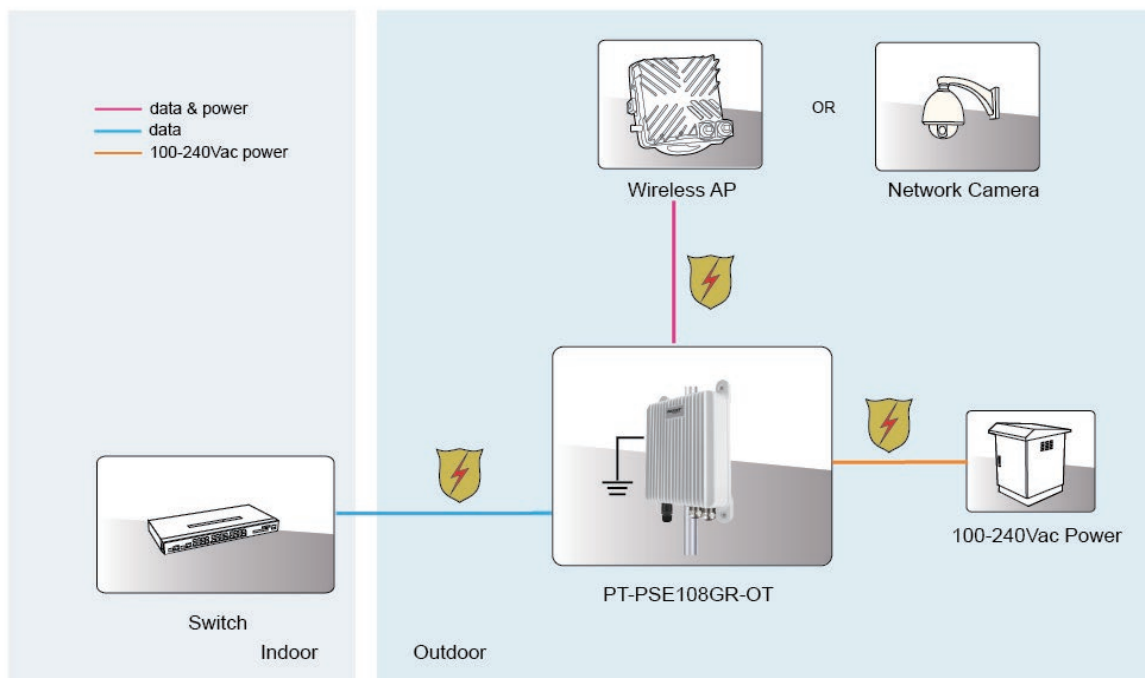
It is easy to install with installation kit PT-POT-MBK, no need to open equipment.



Product Profile



Product Working Diagram



Specification

Standard

- IEEE802.3 10Base-T Ethernet
- IEEE802.3u 100Base-Tx Fast Ethernet
- IEEE802.3ab 1000Base-T Gigabit Ethernet
- Full compliant with IEEE802.3af/at
- RoHS Compliance
- WEEE Compliance

Input & Output

- Input :100-240Vac 1.5A 50/60Hz
- Output: 55Vdc 550mA
- Power Pins: 4/5(+), 7/8(-)
- Data Speed: 10/100/1000Mbps

Working Environment

- Operating Temperature: -40℃ to 65℃
- Operating Humidity: 20% to 90%, non-condensation
- Storage Temperature: -40℃ to 85℃
- Storage Humidity: 10% to 95%, non-condensation
- Operating Altitude: up to 5000meters

AC Surge Protection

- Line-Earth 1.2/50us (8/20us): 6KV
- Line-Line 1.2/50us (8/20us): 4KV

PoE Surge Protection

- Protected line: 1,2,3,4,5,6,7,8
- Common mode surge protection(10/700us): 6KV
- Differential mode surge protection (10/700us): 1.5KV

Safety Approvals

- CE
- FCC

EMI

- FCC CFR47 Part 15, EN55024, EN55032

EMS

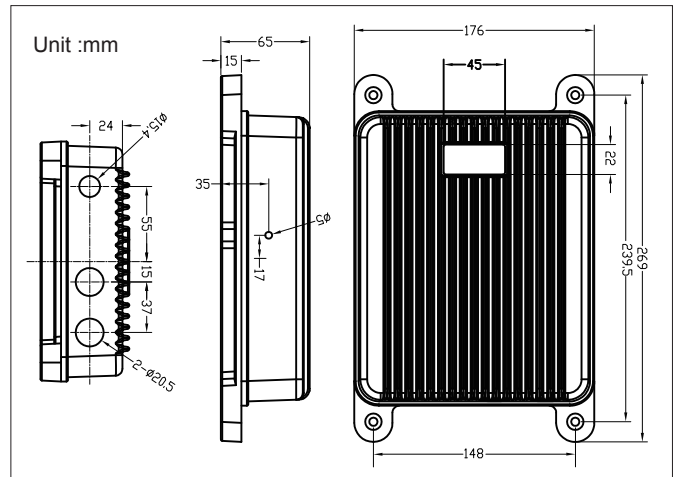
- IEC61000-4-2(ESD) ± 6kV(contact), ±8kV(air)
- IEC61000-4-3(RS) 10V/m(80MHz~2GHz)
- IEC61000-4-4(EFT) Power Port: ±2kV; Data Port:±1kV
- IEC61000-4-5(Surge) Power Port:±1kV/DM, ±2kV/CM
- IEC61000-4-6(CS) 10V(150kHz~80MHz)

Immunity

- IEC60068-2-6(Vibration)
- IEC60068-2-27(Impact)
- IEC60068-2-32(Free Fall)

Mechanical Characteristics

- Case: Aluminum
- Color: White
- Mounting: Pole-mounted
- IP Rated: IP67
- Size: 176mm X 269mm X 65mm
- Weight: 1.8kg



Order Info. PT-PSE108GR-OT

55Vdc/0.55A/1000Mbps/(4,5+,7,8-) /Surge Protection/Active

Packing PT-PSE108GR-OT
Manual x 1

Option PT-POT-MBK Outdoor installation Kit