



Outdoor DC to DC 95W PoE Injector

PT-PSE108GBR-OT-DE

Product Overview

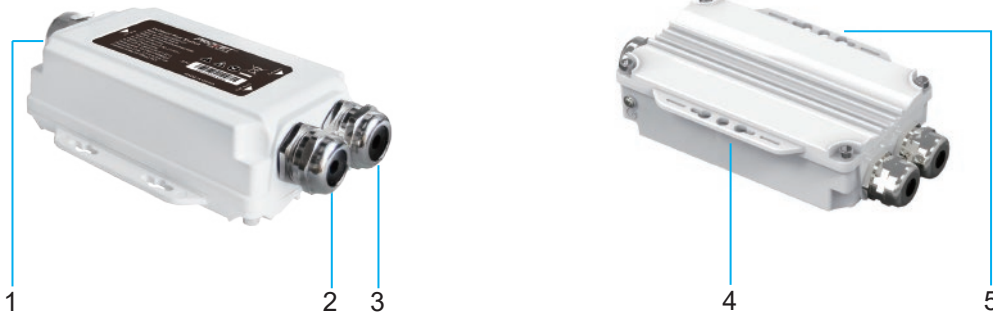
PT-PSE108GBR-OT-DE is an outdoor rated PoE injector/midspan specially designed for exterior, complex backhaul and networking applications.

Enclosed in an IP67 Reflective Aluminum alloy case with a sealing that gasket passes tension, bearing, corrosion, and aging test for IP67 applications. The data rates is at 10/100/1000Mbps.

The single output port delivers 55V, 1.75A power via 4 pairs for remote PD with 6KV (10/700us) surge protection.

It works with input voltage of 12- 55Vdc makes it impossible for solar application. The output voltage is a fixed one at 55V. Wide temperature extend to -40 C to +65 C. The output port equipped detecting chip which is compliant with IEEE802.3af/at/bt can power up wireless APs, IP cameras, Microwave radio, base stations and other high power Ethernet backhaul devices. For planning purposes, the effective distance is 100 meters over Cat5e/Cat6 cables. Easily to install with mounting holes, no need to open the equipment. With Stainless Steel Cable ties can be fixed on a Pole.

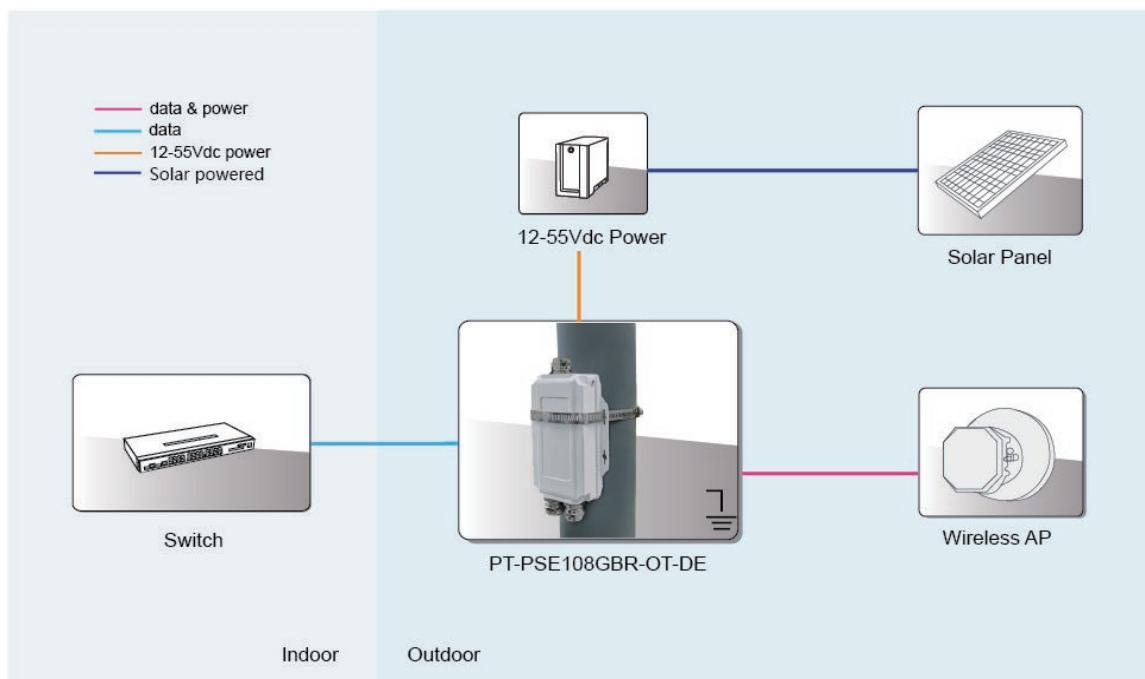
Product Profile



- 1. DC Input Port
- 2. PoE: Data&Power Output Port

- 3. LAN: Data Input Port
- 4,5. Mounting Hole

Product Working Diagram



Specification

Standard

- IEEE802.3 10Base-T Ethernet
- IEEE802.3u 100Base-Tx Fast Ethernet
- IEEE802.3ab 1000Base-T Gigabit Ethernet
- Support terminal equipment with IEEE802.3af/at/bt
- RoHS Compliance
- WEEE Compliance

Input & Output

- Input :12-55Vdc
- Output: 55Vdc 1750mA
- Power Output Pins: 4/5(+), 7/8(-) and 3/6(+), 1/2(-)
- Data Speed: 10/100/1000Mbps

Working Environment

- Operating Temperature: -40℃ to 65℃
- Operating Humidity: 20% to 80%, non-condensation
- Storage Temperature: -40℃ to 85℃
- Storage Humidity: 10% to 95%, non-condensation
- Operating Altitude: up to 5000meters

PoE Surge Protection

- Protected line: 1,2,3,4,5,6,7,8
- Common mode surge protection(10/700us): 6KV
- Differential mode surge protection (10/700us): 1.5KV

EMI

- FCC CFR47 Part 15, EN55032, EN55035

EMS

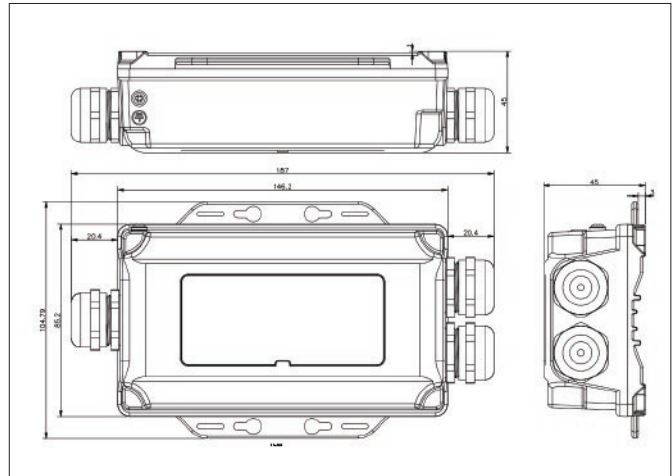
- IEC61000-4-2(ESD) $\pm 6kV$ (contact), $\pm 8kV$ (air)
- IEC61000-4-3(RS) 10V/m(80MHz~2GHz)
- IEC61000-4-4(EFT) Power Port: $\pm 2kV$; Data Port: $\pm 1kV$
- IEC61000-4-5(Surge) Power Port: $\pm 1kV/DM$, $\pm 2kV/CM$
- IEC61000-4-6(CS) 10V(150kHz~80MHz)

Immunity

- IEC60068-2-6(Vibration)
- IEC60068-2-27(Impact)
- IEC60068-2-32(Free Fall)

Mechanical Characteristics

- Case: Metal
- Color: White
- Mounting: Wall-mounted/Pole-mounted
- IP Rated: IP67
- Size: 187mm X 104.79mm X 45mm
- Weight: 565g



Order Info. PT-PSE108GBR-OT-DE

DC to DC/95W/1000Mbps/Surge Protection/Outdoor Use/Active

Packing PT-PSE108GBR-OT-DE
Manual x 1