



## Outdoor Dual Port PoE Extender

**PT-PEX-02GB-OT**

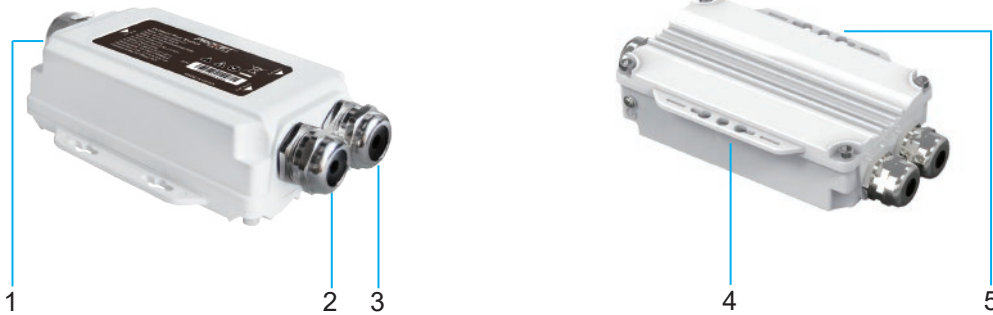
### Product Overview

PT-PEX-02GB-OT is an outdoor rated PoE Extender with two PoE output ports, specially designed for exterior, complex backhaul and networking applications.

Enclosed in an IP67 Reflective Aluminum alloy case with a sealing that gasket passes tension, bearing, corrosion, and aging test for IP67 applications. The 3 ports 10/100/1000Mbps includes: 1 x PoE powered input port with 802.3bt at 95W and 2 x PoE output ports with 6KV (10/700us) surge protection. Each output port delivers 45W (Max) power for remote two PDs, totaling up to 90W

PoE Input port requiring more power which is powered by ultra 802.3bt PoE, works with input voltage of 50- 57Vdc, and operates under -40 °C to +65 °C. The output ports equipped detecting chip and are compliant with IEEE802.3 af/at/bt PDs, such as wireless APs, IP cameras, Microwave radio, base stations and other power Ethernet backhaul devices. For planning purposes, the total effective distance from Ultra PoE to PDs is 200 meters over CAT5e/CAT6 cables without local power. Easily to install with mounting holes, no need to open the equipment. With Stainless Steel Cable ties can be fixed on a Pole.

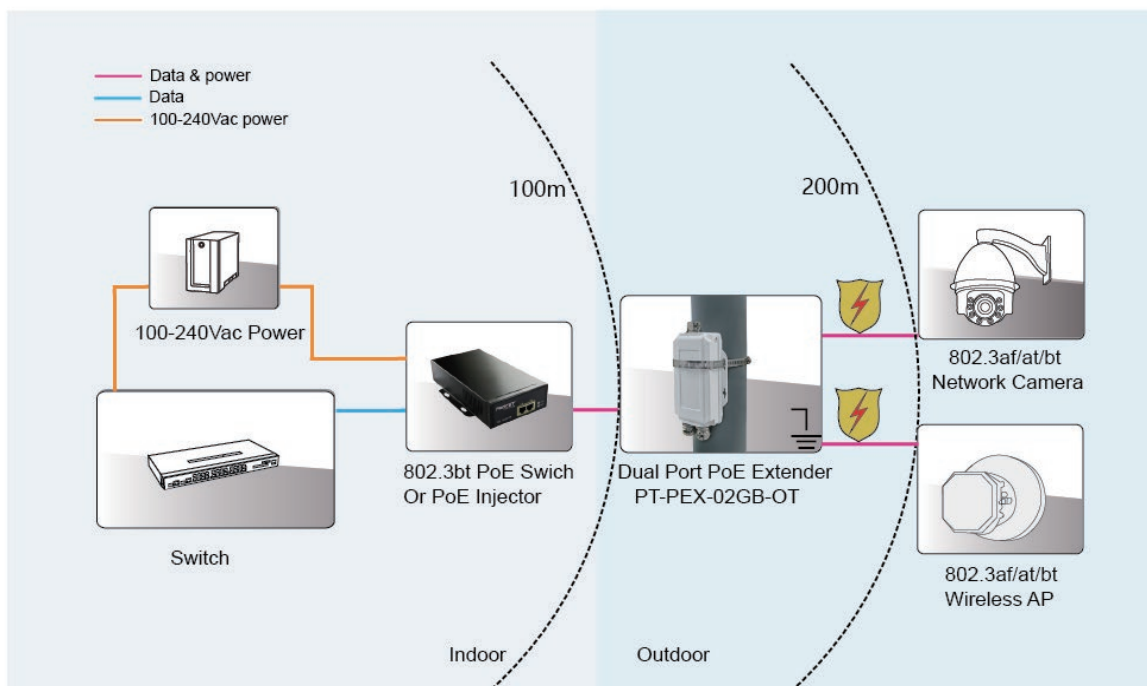
### Product Profile



- 1. PoE In: Data&Power input Port
- 2. PoE Out: Data&Power Output Port 1

- 3. PoE Out: Data&Power Output Port 2
- 4,5. Mounting Hole

### Product Working Diagram



## Specification

### Standard

- IEEE802.3 10Base-T Ethernet
- IEEE802.3u 100Base-Tx Fast Ethernet
- IEEE802.3ab 1000Base-T Gigabit Ethernet
- Compliant with IEEE802.3af/at/bt
- RoHS Compliance
- WEEE Compliance

### Input & Output

- Input :50-57Vdc 802.3bt PoE
- Power Pins Input: 4/5(+), 7/8(-) and 3/6(+), 1/2(-)
- Output: 44-57Vdc 802.3af/at/bt 45W per port, total 90W
- Power Pins Output: 4/5(+), 7/8(-) and 3/6(+), 1/2(-)
- Data Speed: 10/100/1000Mbps

### Working Environment

- Operating Temperature: -40℃ to 65℃
- Operating Humidity: 20% to 80%, non-condensation
- Storage Temperature: -40℃ to 85℃
- Storage Humidity: 10% to 95%, non-condensation
- Operating Altitude: up to 5000meters

### PoE Surge Protection

- Protected line: 1,2,3,4,5,6,7,8
- Common mode surge protection(10/700us): 6KV
- Differential mode surge protection (10/700us): 1.5KV

### EMI

- FCC CFR47 Part 15, EN55032, EN55035

### EMS

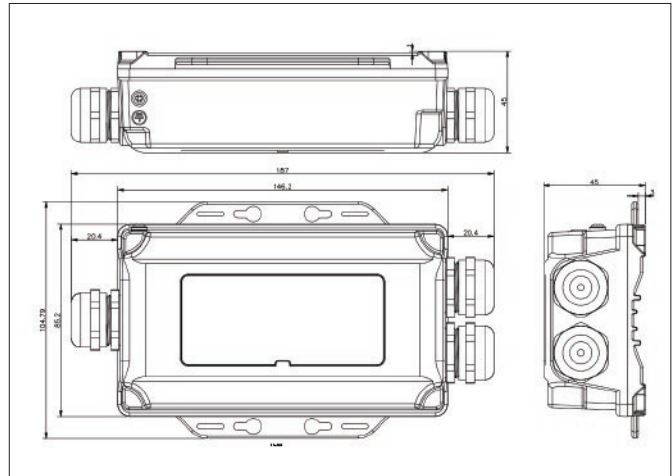
- IEC61000-4-2(ESD)  $\pm 6kV$ (contact),  $\pm 8kV$ (air)
- IEC61000-4-3(RS) 10V/m(80MHz~2GHz)
- IEC61000-4-4(EFT) Power Port:  $\pm 2kV$ ; Data Port: $\pm 1kV$
- IEC61000-4-5(Surge) Power Port: $\pm 1kV/DM$ ,  $\pm 2kV/CM$
- IEC61000-4-6(CS) 10V(150kHz~80MHz)

### Immunity

- IEC60068-2-6(Vibration)
- IEC60068-2-27(Impact)
- IEC60068-2-32(Free Fall)

### Mechanical Characteristics

- Case: Metal
- Color: White
- Mounting: Wall-mounted/Pole-mounted
- IP Rated: IP67
- Size: 187mm X 104.79mm X 45mm
- Weight: 565g



**Order Info.** PT-PEX-02GB-OT

Dual Port/802.3bt/1000Mbps/Surge Protection/Outdoor Use/Active

**Packing** PT-PEX-02GB-OT  
Manual x 1