



PT-PSE108GWBR-OT

Outdoor 60W PoE Injector

Product Overview

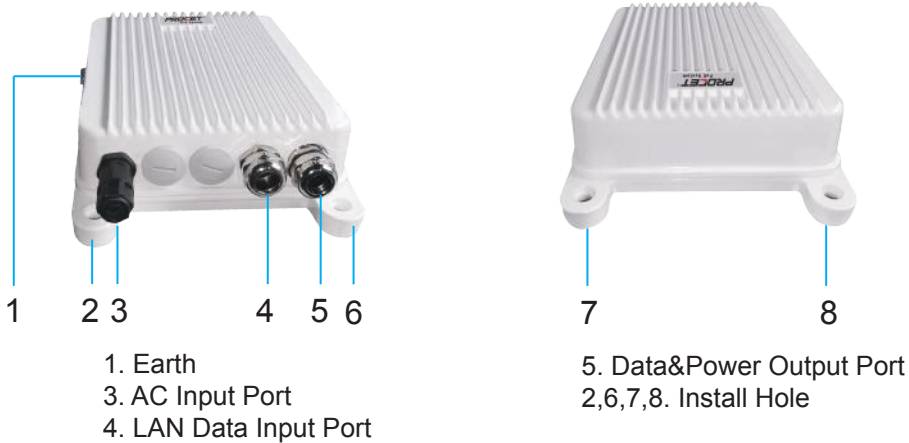
PT-PSE108GWBR-OT is a single port PoE Injector with waterproof metal casing. It has sealing gasket inside which passed extension, bearing, corrosion, aging test. It provides 55Vdc, 1.1A power for remote PDs over 4 pairs output with 6KV (10/700us) surge protection. It supports 10/100/1000Mbps of data speed. It works for 60W PoE PDs, such as wireless APs, network camera, VoIP phone, base stations, and other high power Ethernet terminals.

It is compatible and safe to use with any IEEE802.3af/at compliant terminals.

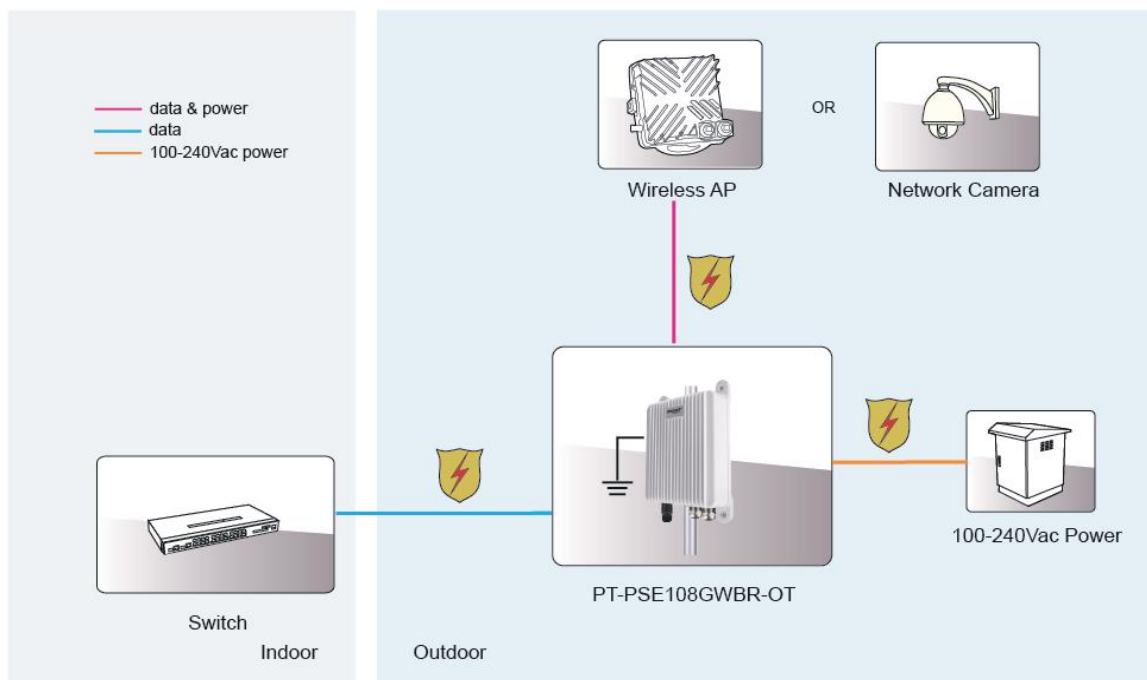
PT-PSE108GWBR-OT is designed for outdoor using, which works with 100-240Vac input and operates under -40 °C to +65 °C full loading. It has detection chip inside, which will detect and classify PD before powering it. It will not provide power until a standard-compliant PD is detected. The effective distance is 100 meters over Cat5e/Cat6 cables. It is specially suitable for working in complex power situations. It is easy to install with installation kit PT-POT-MBK, no need to open equipment.



Product Profile



Product Working Diagram



Specification

Standard

- IEEE802.3 10Base-T Ethernet
- IEEE802.3u 100Base-Tx Fast Ethernet
- IEEE802.3ab 1000Base-T Gigabit Ethernet
- Full compliant with IEEE802.3af/at/PoE++
- RoHS Compliance
- WEEE Compliance

Input & Output

- Input :100-240Vac 2.0A 50/60Hz
- Output: 55Vdc 1100mA
- Power Pins: 4/5(+), 7/8(-) and 3/6(+),1/2(-)
- Data Speed: 10/100/1000Mbps

Working Environment

- Operating Temperature: -40℃ to 65℃
- Operating Humidity: 20% to 80%, non-condensation
- Storage Temperature: -40℃ to 85℃
- Storage Humidity: 10% to 95%, non-condensation
- Operating Altitude: up to 5000meters

AC Surge Protection

- Line-Earth 1.2/50us (8/20us): 6KV
- Line-Line 1.2/50us (8/20us): 4KV

PoE Surge Protection

- Protected line: 1,2,3,4,5,6,7,8
- Common mode surge protection(10/700us): 6KV
- Differential mode surge protection (10/700us): 1.5KV

Safety Approvals

- UL
- CE

EMI

- FCC CFR47 Part 15, EN55024, EN55032

EMS

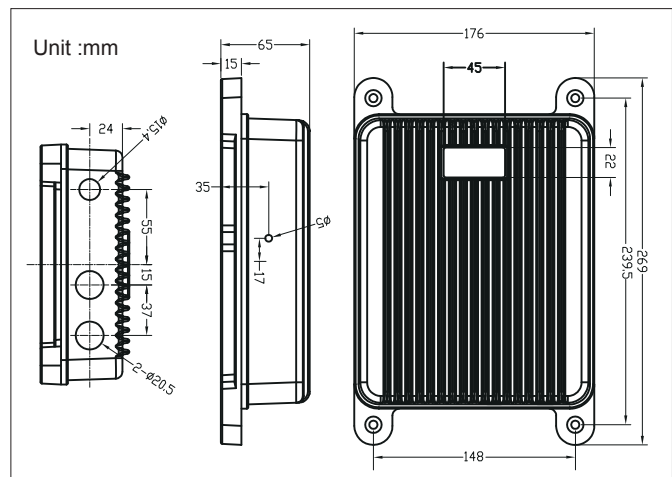
- IEC61000-4-2(ESD) ± 6kV(contact), ±8kV(air)
- IEC61000-4-3(RS) 10V/m(80MHz~2GHz)
- IEC61000-4-4(EFT) Power Port: ±2kV; Data Port:±1kV
- IEC61000-4-5(Surge) Power Port:±1kV/DM, ±2kV/CM
- IEC61000-4-6(CS) 10V(150kHz~80MHz)

Immunity

- IEC60068-2-6(Vibration)
- IEC60068-2-27(Impact)
- IEC60068-2-32(Free Fall)

Mechanical Characteristics

- Case: Metal
- Color: White
- Mounting: Pole-mounted
- IP Rated: IP66
- Size: 176mm X 269mm X 65mm
- Weight: 1.8kg



Order Info. PT-PSE108GWBR-OT 55Vdc/1.1A/1000Mbps/(4,5+,7,8-) and (3,6+,1,2-)/Surge Protection/Active

Packing PT-PSE108GWBR-OT
Manual x 1

Option PT-POT-MBK Outdoor installation Kit