



Outdoor Fiber 60W 2 Port PoE Switch

PT-POS301GWRF-OT

Product Overview

PT-POS301GWRF-OT is an outdoor rated switch special designed for exterior, complex backhaul and networking applications, special scenarios, like highway side, exurb, etc.

Enclosed in a IP66 Reflective metal case with a sealing that gasket passes tension, bearing, corrosion, and aging test for IP66 applications. Pass salt spray resistance test Including 1 AC input port, 1 SFP port and 2 PoE output ports with 6KV (10/700us) surge protection, provides 55Vdc, 1.1A power for remote PDs. It supports 1Gbps of data speed.

Easily to install with installation kit (PT-POT-MBK Sold separately), no need to open the equipment.

Designed for outdoor applications. It works with wide input voltage of 100-240Vac and operates under -40 C to +65 C. Equipped detecting chip inside, which will detect and classify PD before powering it. It will not provide power until a standard-compliant PD is detected. The effective distance is 100 meters over Cat5e/Cat6 cables.

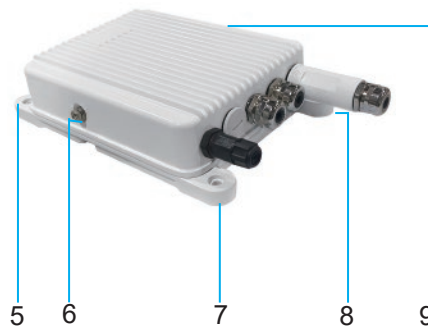
It is compliant with PoE++ standard and is also compatible to use with any IEEE802.3af/at standard equipments, such as wireless APs, network camera, VoIP phone, base stations, and other high power Ethernet terminals.



Product Profile

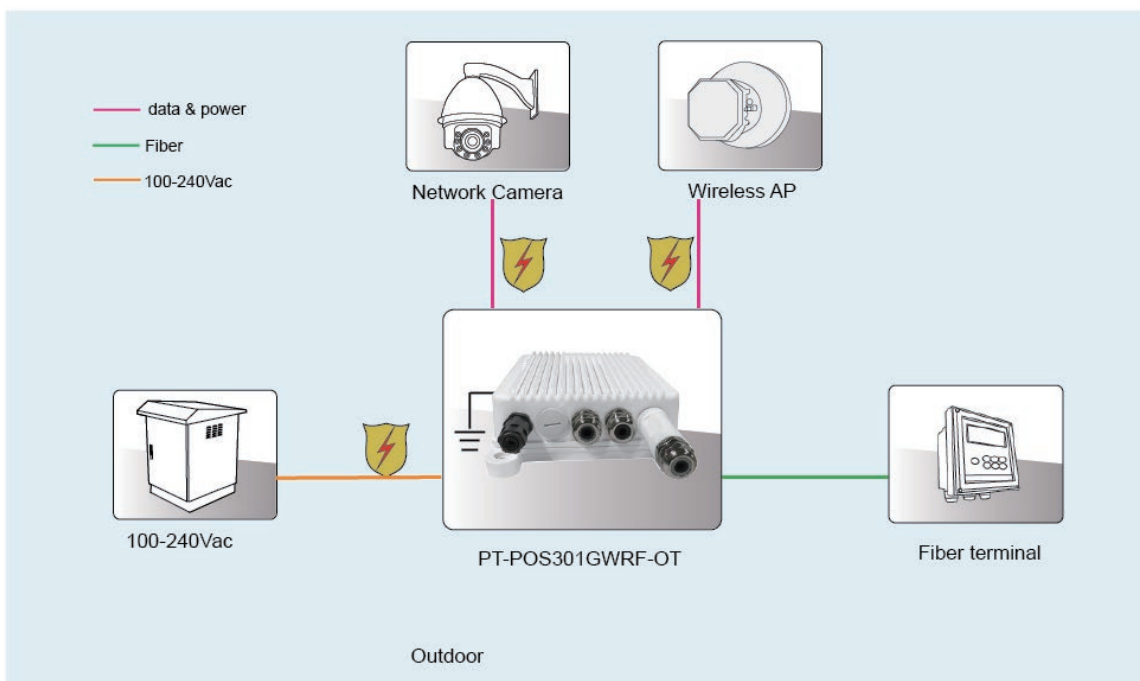


- 1. LINE AC: AC Power Input Port
- 2. PoE 1: Data&Power Output Port
- 3. PoE 2: Data&Power Output Port



- 4. SFP: Data Input Port
- 6. Earth
- 5,7,8,9. Mounting Hole

Product Working Diagram



Specification

Standard

- IEEE802.3ab 1000Base-T Gigabit Ethernet
- Compliant with IEEE802.3af/at/PoE++
- RoHS Compliance
- WEEE Compliance

Input & Output

- Input :100-240Vac 2.0A 50/60Hz
- Output: 55Vdc 1100mA *2 Ports
Total 120W
- Power Pins: 3/6(+), 1/2(-), 4/5(+), 7/8(-)
- Data Speed: 10/100/1000Mbps

Working Environment

- Operating Temperature: -40℃ to 65℃
- Operating Humidity: 20% to 80%, non-condensation
- Storage Temperature: -40℃ to 85℃
- Storage Humidity: 10% to 90%, non-condensation
- Operating Altitude: up to 5000meters

AC Surge Protection

- Line-Line 1.2/50us(8/20us): 4KV
- Line-Earth 1.2/50us(8/20us): 6KV

PoE Surge Protection

- Protected line: 1,2,3,4,5,6,7,8
- Common mode surge protection(10/700us): 6KV
- Differential mode surge protection (10/700us): 1.5KV

Mechanical Characteristics

- Case: Metal
- Color: White
- Mounting: Wall-mounted/Pole-mounted
- IP Rated: IP66
- Size: 176mm X 269mm X 65mm
- Weight: 1.8kg

Safety Approvals

- cUL/UL

EMI

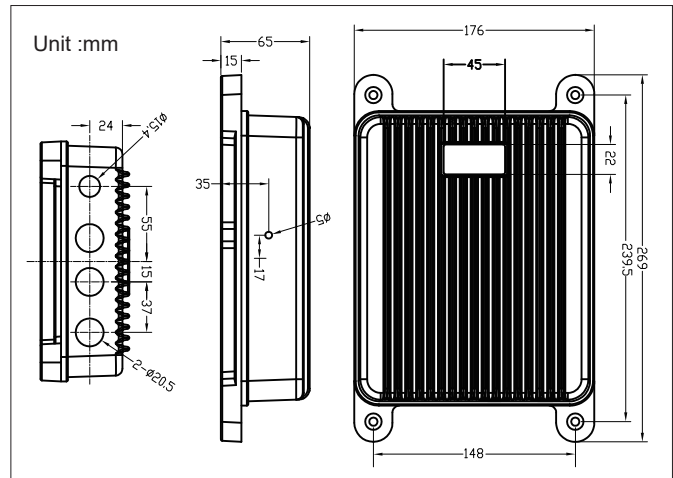
- FCC CFR47 Part 15, EN55032, EN55035

EMS

- IEC61000-4-2(ESD) ± 6 kV(contact), ± 8 kV(air)
- IEC61000-4-3(RS) 10V/m(80MHz~2GHz)
- IEC61000-4-4(EFT) Power Port: ± 2 kV; Data Port: ± 1 kV
- IEC61000-4-5(Surge) Power Port: ± 1 kV/DM, ± 2 kV/CM
- IEC61000-4-6(CS) 10V(150kHz~80MHz)

Immunity

- IEC60068-2-6(Vibration)
- IEC60068-2-27(Impact)
- IEC60068-2-32(Free Fall)



Order Info. PT-POS301GWRF-OT 55Vdc/1.1A Per Port/1000Mbps/3,6(+), 1,2(-), 4,5(+), 7,8(-)/Surge Protection/IP66

Packing PT-POS301GWRF-OT
Manual x 1

Option PT-POT-MBK Outdoor installation Kit