



## Outdoor Fiber 95W PoE Switch

**PT-POS201GBRF-OT**

### Product Overview

PT-POS201GBRF-OT is an outdoor rated switch special designed for exterior, complex backhaul and networking applications, special scenarios, like highway side, exurb, etc.

Enclosed in a IP66 Reflective metal case with a sealing that gasket passes tension, bearing, corrosion, and aging test for IP66 applications. Pass salt spray resistance test Including 1 AC input port, 1 SFP port and 1 PoE output ports with 6KV (10/700us) surge protection, provides 55Vdc, 1.75A power for remote PDs. It supports 10/100/1000Mbps of data speed.

Easily to install with installation kit (Sold separately), no need to open the equipment.

Designed for outdoor applications. It works with wide input voltage of 100-240Vac and operates under -40°C to +65°C. Equipped detecting chip inside, which will detect and classify PD before powering it. It will not provide power until a standard-compliant PD is detected. The effective distance is 100 meters over Cat5e/Cat6 cables.

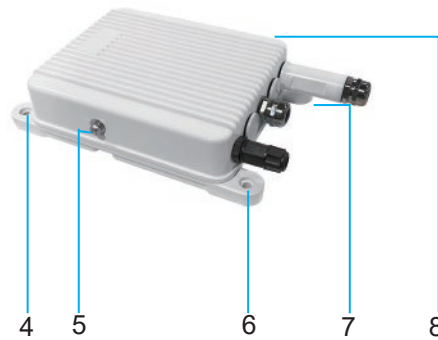
It is compliant with IEEE802.3bt standard and is also compatible to use with any IEEE802.3af/at standard equipments, such as wireless APs, network camera, VoIP phone, base stations, and other high power Ethernet terminals.



### Product Profile

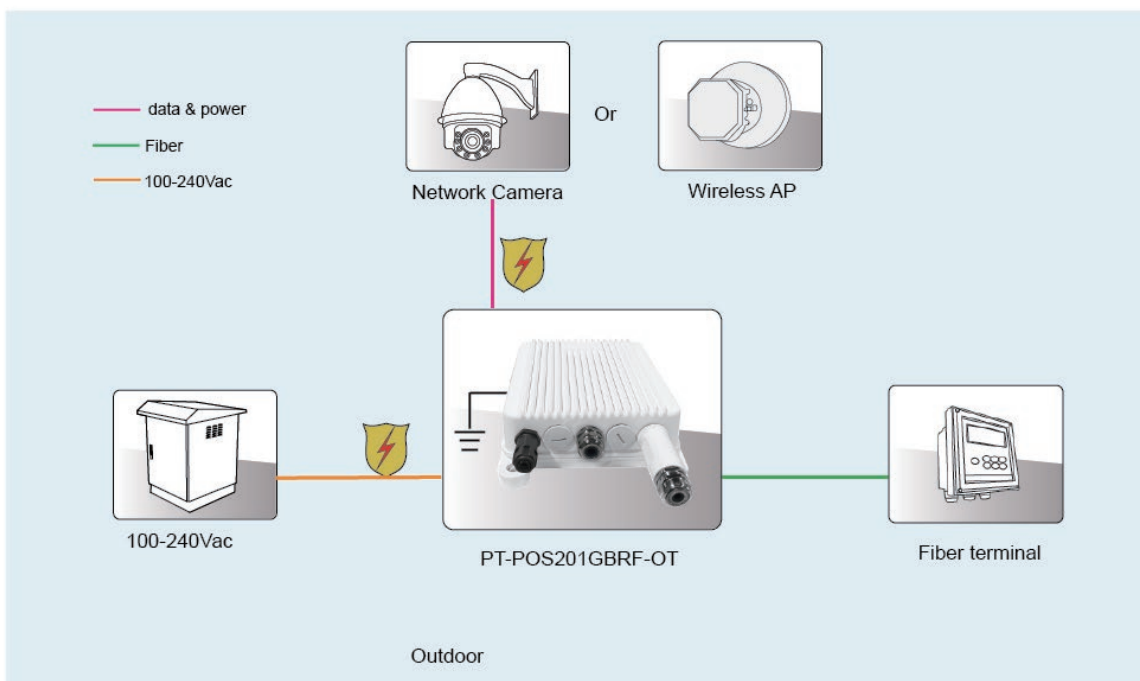


1. LINE AC: AC Power Input Port
2. PoE: Data&Power Output Port
3. SFP: Data Input Port



5. Earth
- 4,6,7,8. Mounting Hole

### Product Working Diagram



### Specification

#### Standard

- IEEE802.3 10Base-T Ethernet
- IEEE802.3u 100Base-Tx Fast Ethernet
- IEEE802.3ab 1000Base-T Gigabit Ethernet
- Compliant with IEEE802.3af/at/bt
- RoHS Compliance
- WEEE Compliance

#### Input & Output

- Input :100-240Vac 2.0A 50/60Hz
- Output: 55Vdc 1750mA
- Power Pins: 3/6(+), 1/2(-), 4/5(+), 7/8(-)
- Data Speed: 10/100/1000Mbps

#### Working Environment

- Operating Temperature: -40 °C to 65 °C
- Operating Humidity: 20% to 80%, non-condensation
- Storage Temperature: -40 °C to 85 °C
- Storage Humidity: 10% to 90%, non-condensation
- Operating Altitude: up to 5000meters

#### AC Surge Protection

- Line-Line 1.2/50us(8/20us): 4KV
- Line-Earth 1.2/50us(8/20us): 6KV

#### PoE Surge Protection

- Protected line: 1,2,3,4,5,6,7,8
- Common mode surge protection(10/700us): 6KV
- Differential mode surge protection (10/700us): 1.5KV

#### Mechanical Characteristics

- Case: Metal
- Color: White
- Mounting: Wall-mounted/Pole-mounted
- IP Rated: IP66
- Size: 176mm X 269mm X 65mm
- Weight: 1.8kg

### Safety Approvals

- cUL/UL

### EMI

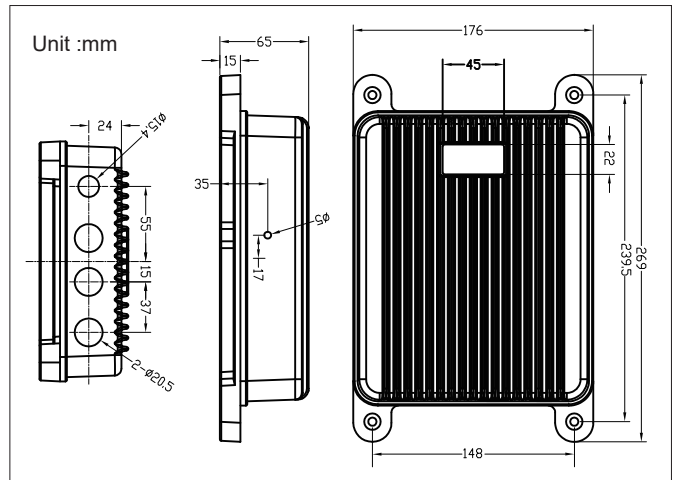
- FCC CFR47 Part 15, EN55032, EN55035

### EMS

- IEC61000-4-2(ESD) ± 6kV(contact), ±8kV(air)
- IEC61000-4-3(RS) 10V/m(80MHz~2GHz)
- IEC61000-4-4(EFT) Power Port: ±2kV; Data Port:±1kV
- IEC61000-4-5(Surge) Power Port:±1kV/DM, ±2kV/CM
- IEC61000-4-6(CS) 10V(150kHz~80MHz)

### Immunity

- IEC60068-2-6(Vibration)
- IEC60068-2-27(Impact)
- IEC60068-2-32(Free Fall)



**Order Info.** PT-POS201GBRF-OT

55Vdc/1.175/1000Mbps/3,6(+), 1,2(-), 4,5(+), 7,8(-)/Surge Protection/IP66

**Packing** PT-POS201GBRF-OT  
Manual x 1

**Option** PT-POT-MBK Outdoor installation Kit

This document belongs to Lindsay company. It is not allowed to reproduce and modify without the original author's permission. It is Lindsay's policy to improve its products as new technology, components, software, and firmware at any time. PROCET, therefore, reserves the right to change specifications without prior notice. (2020.03)