



**PT-PD208GM-5**

## 5V Output Gigabit PoE Splitter

### Product Overview

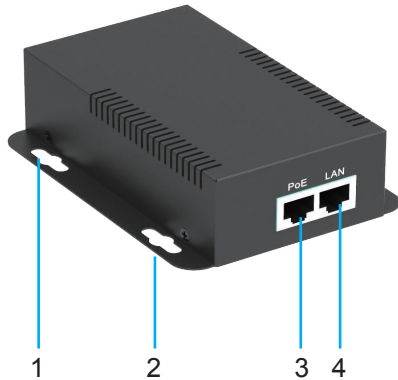
PT-PD208GMO-5 is a single port PoE splitter with high-impact metal shell. It works as a converter separating power and data from PoE injector and delivering power and data to non-PoE devices. The output power is 5Vdc 4.0A. It supports 10/100/1000Mbps of data speed. It works for 20W non-PoE PDs, such as high power communication station, wireless APs, network cameras and other non-PoE terminals.

PT-PD208GMO-5 is designed for indoor use. It works with input voltage of 40-57Vdc from PoE injector and operates under -40 °C to 65 °C. The effective distance is 100 meters over Cat5e/Cat6 cables.

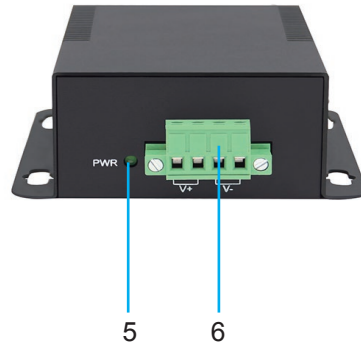
It is an isolated design inside to avoid high current input damage. The model is easy to install with four mounting holes.



### Product Profile

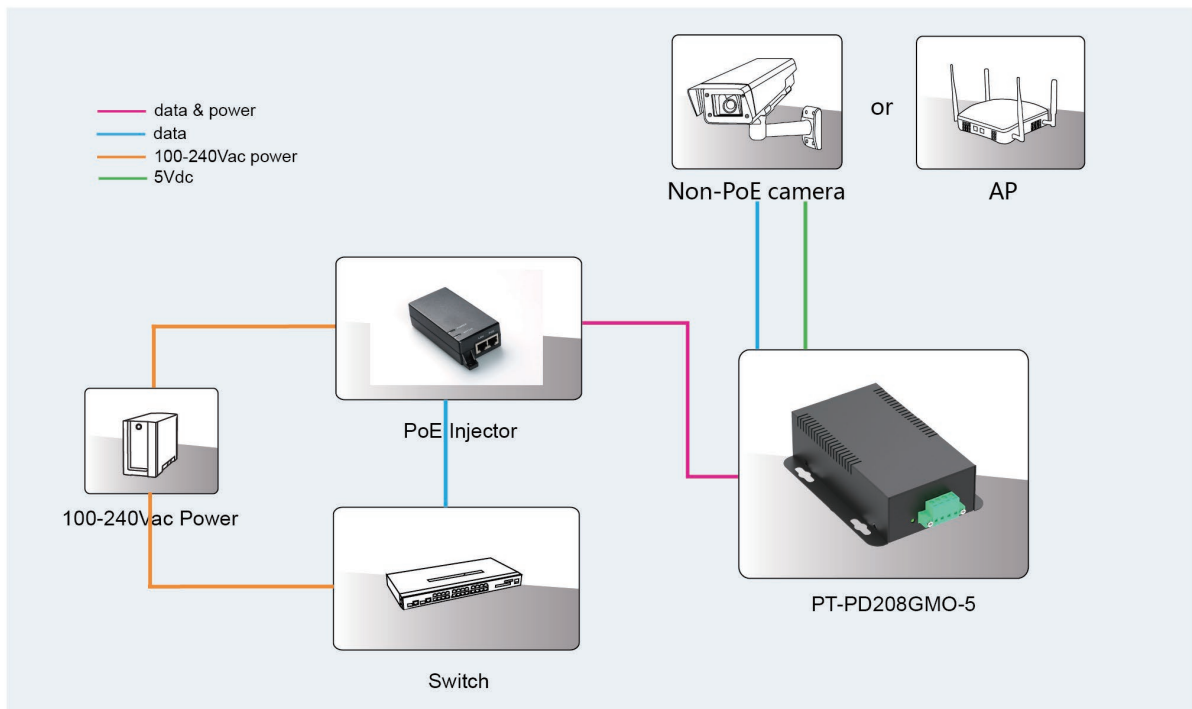


- 1.2. Mounting hole
- 3. PoE: Data&Power input port
- 4. LAN output port



- 5. Power output indicator
- 6. DC power output connector

### Product Working Diagram



## Specification

### Standard

- IEEE802.3 10Base-T Ethernet
- IEEE802.3u 100Base-Tx Fast Ethernet
- IEEE802.3ab 1000Base-T Gigabit Ethernet
- Support PoE injector with IEEE802.3af/at
- RoHS Compliance
- WEEE Compliance

### Input & Output

- Input :40-57Vdc (Typical 48V) 1.0A
- Output: 5Vdc 4000mA
- Power Pins: 4/5(+), 7/8(-)
- Data Speed: 10/100/1000Mbps

### Working Environment

- Operating Temperature: -40 C to 65 C
- Operating Humidity: 20% to 80%, non-condensation
- Storage Temperature: -40 C to 65 C
- Storage Humidity: 10% to 90%, non-condensation
- Operating Altitude: up to 2000meters

### Mechanical Characteristics

- Case: Metal
- Color: Black
- Mounting: Wall-mounted
- IP Rated: IP20
- Size: 128mm X 89mm X 36mm
- Weight: 350g

### Safety Approvals

- CE
- FCC

### EMI

- FCC CFR47 Part 15, EN55024, EN55032

### EMS

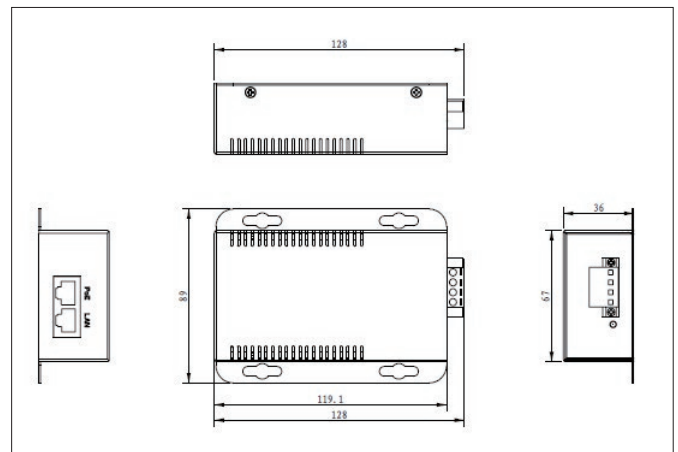
- IEC61000-4-2(ESD)  $\pm 6kV$ (contact),  $\pm 8kV$ (air)
- IEC61000-4-3(RS) 10V/m(80MHz~2GHz)
- IEC61000-4-4(EFT) Power Port:  $\pm 2kV$ ; Data Port: $\pm 1kV$
- IEC61000-4-5(Surge) Power Port: $\pm 1kV/DM$ ,  $\pm 2kV/CM$
- IEC61000-4-6(CS) 10V(150kHz~80MHz)

### Immunity

- IEC60068-2-6(Vibration)
- IEC60068-2-27(Impact)
- IEC60068-2-32(Free Fall)

### LED Indicator

- Power output Indicator : Green



**Order Info.** PT-PD208GMO-5

5Vdc/4.0A/1000Mbps/4,5(+),7,8(-)

**Packing.** PT-PD208GMO-5  
Manual x 1

This document belongs to PROCET company. It is not allowed to reproduce and modify without the original author's permission. It is PROCET's policy to improve its products as new technology, components, software, and firmware at any time. PROCET, therefore, reserves the right to change specifications without prior notice. (2019.11)