



## Outdoor Fiber 95W PoE Switch

**PT-POS201GBRF-OT**

### Product Overview

PT-POS201GBRF-OT is an outdoor rated switch special designed for exterior, complex backhaul and networking applications, special scenarios, like highway side, exurb, etc.

Enclosed in a IP66 Reflective metal case with a sealing that gasket passes tension, bearing, corrosion, and aging test for IP66 applications. Pass salt spray resistance test Including 1 AC input port, 1 SFP port and 1 PoE output ports with 6KV (10/700us) surge protection, provides 55Vdc, 1.75A power for remote PDs. It supports 10/100/1000Mbps of data speed.

Easily to install with installation kit (Sold separately), no need to open the equipment.

Designed for outdoor applications. It works with wide input voltage of 100-240Vac and operates under -40°C to +65°C. Equipped detecting chip inside, which will detect and classify PD before powering it. It will not provide power until a standard-compliant PD is detected. The effective distance is 100 meters over Cat5e/Cat6 cables.

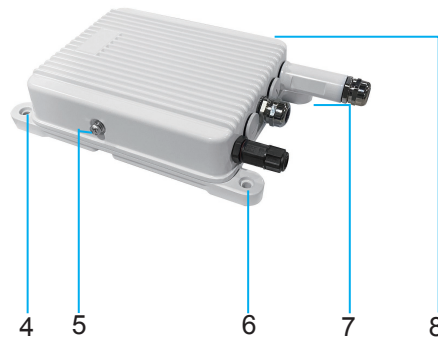
It is compliant with IEEE802.3bt standard and is also compatible to use with any IEEE802.3af/at standard equipments, such as wireless APs, network camera, VoIP phone, base stations, and other high power Ethernet terminals.



### Product Profile

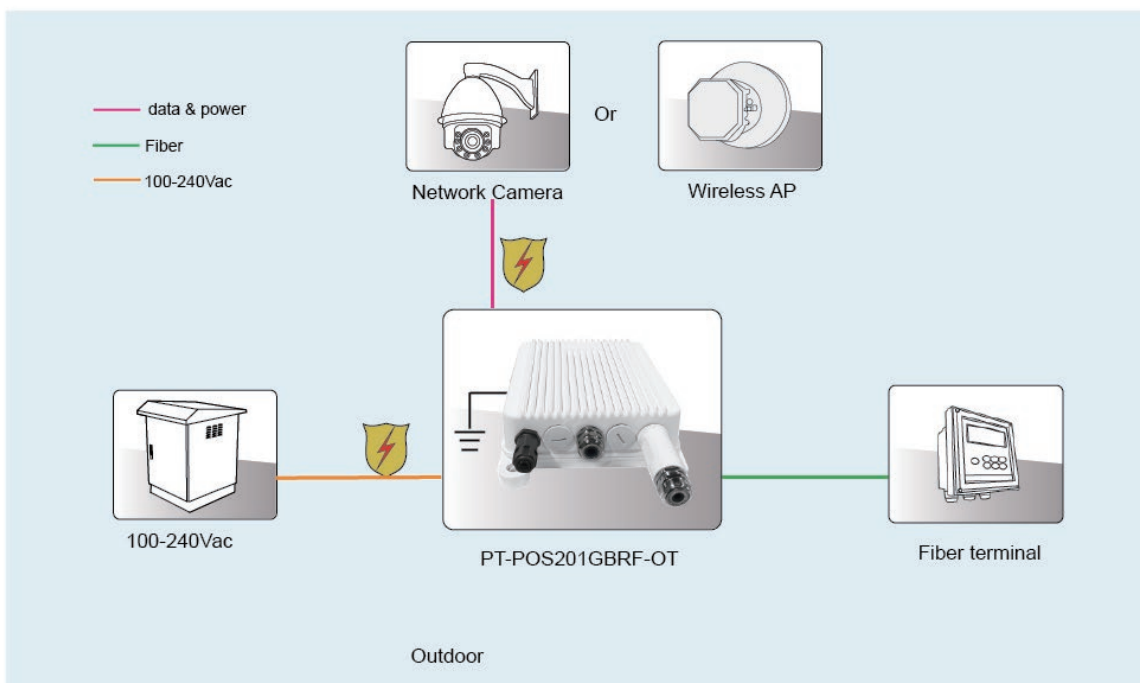


1. LINE AC: AC Power Input Port
2. PoE: Data&Power Output Port
3. SFP: Data Input Port



5. Earth
- 4,6,7,8. Mounting Hole

### Product Working Diagram



## Specification

### Standard

- IEEE802.3 10Base-T Ethernet
- IEEE802.3u 100Base-Tx Fast Ethernet
- IEEE802.3ab 1000Base-T Gigabit Ethernet
- Compliant with IEEE802.3af/at/bt
- RoHS Compliance
- WEEE Compliance

### Input & Output

- Input :100-240Vac 2.0A 50/60Hz
- Output: 55Vdc 1750mA
- Power Pins: 3/6(+), 1/2(-), 4/5(+), 7/8(-)
- Data Speed: 10/100/1000Mbps

### Working Environment

- Operating Temperature: -40℃ to 65℃
- Operating Humidity: 20% to 80%, non-condensation
- Storage Temperature: -40℃ to 85℃
- Storage Humidity: 10% to 90%, non-condensation
- Operating Altitude: up to 5000meters

### AC Surge Protection

- Line-Line 1.2/50us(8/20us): 4KV
- Line-Earth 1.2/50us(8/20us): 6KV

### PoE Surge Protection

- Protected line: 1,2,3,4,5,6,7,8
- Common mode surge protection(10/700us): 6KV
- Differential mode surge protection (10/700us): 1.5KV

### Mechanical Characteristics

- Case: Metal
- Color: White
- Mounting: Wall-mounted/Pole-mounted
- IP Rated: IP66
- Size: 176mm X 269mm X 65mm
- Weight: 1.8kg

### Safety Approvals

- cUL/UL

### EMI

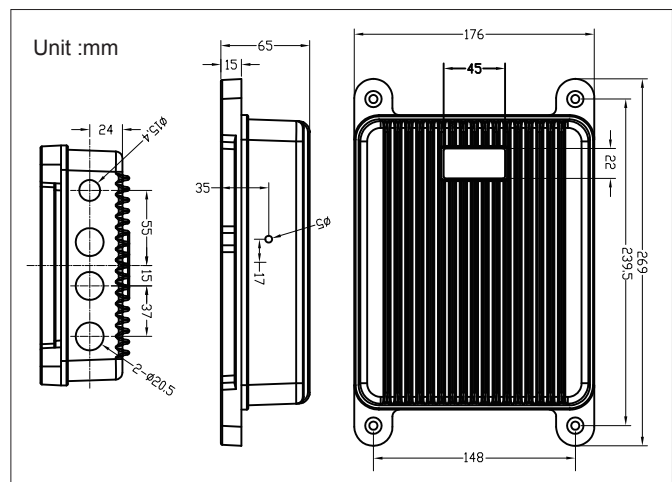
- FCC CFR47 Part 15, EN55024, EN55032

### EMS

- IEC61000-4-2(ESD) ± 6kV(contact), ±8kV(air)
- IEC61000-4-3(RS) 10V/m(80MHz~2GHz)
- IEC61000-4-4(EFT) Power Port: ±2kV; Data Port:±1kV
- IEC61000-4-5(Surge) Power Port:±1kV/DM, ±2kV/CM
- IEC61000-4-6(CS) 10V(150kHz~80MHz)

### Immunity

- IEC60068-2-6(Vibration)
- IEC60068-2-27(Impact)
- IEC60068-2-32(Free Fall)



**Order Info.** PT-POS201GBRF-OT 55Vdc/1.175/1000Mbps/3,6(+), 1,2(-), 4,5(+), 7,8(-)/Surge Protection/IP66

**Packing** PT-POS201GBRF-OT  
Manual x 1

**Option** LBOG-100VAC-KIT Outdoor installation Kit