



PT-POS401GRF-OT

Outdoor 4-port PoE Switch

Product Overview

PT-POS401GRF-OT is a 4-port PoE switch with waterproof metal casing. It has sealing gasket inside which passed extension, bearing, corrosion, aging test. 4 ports include 1 SFP port and 3 PoE output ports with 6KV (10/700us) surge protection, each PoE output port provides 55Vdc, 0.55A power for remote PDs. It supports 10/100/1000Mbps of data speed.

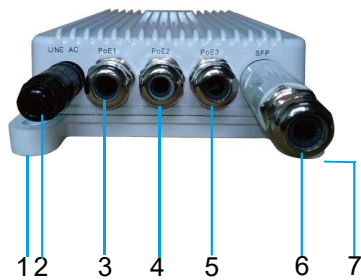
It is compliant with IEEE802.3at standard and is also compatible to use with any IEEE802.3af standard equipments, such as wireless APs, network camera, VoIP phone, base stations, and other high power Ethernet terminals.

PT-POS401GRF-OT is designed for outdoor using. It works with input voltage of 100-240Vac and operates under -40°C to +65°C. It has detection chip inside, which will detect and classify PD before powering it. It will not provide power until a standard-compliant PD is detected. The effective distance is 100 meters over Cat5e/Cat6 cables.

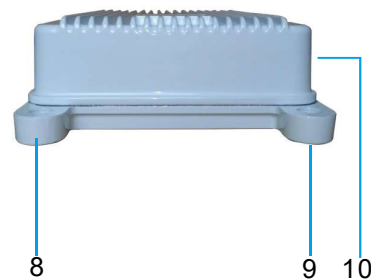
It is specially suitable for working in complex power situations. It is easy to install with installation kit PT-POT-MBK, no need to open the equipment.



Product Profile

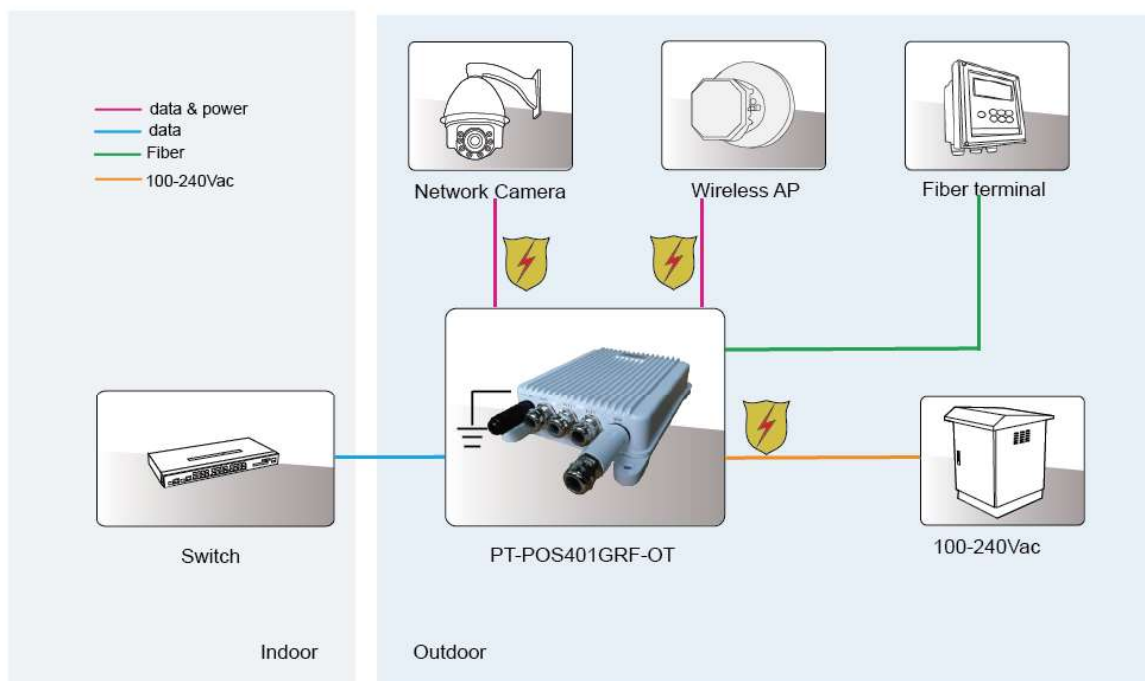


1. Mounting Hole
2. AC Power Input Port
3. Data&Power Output Port
4. Data&Power Output Port



5. Data&Power Output Port
6. SFP: Data Input Port
10. Earth
- 7,8,9. Mounting Hole

Product Working Diagram



Specification

Standard

- IEEE802.3 10Base-T Ethernet
- IEEE802.3u 100Base-Tx Fast Ethernet
- IEEE802.3ab 1000Base-T Gigabit Ethernet
- Compliant with IEEE802.3af/at
- RoHS Compliance
- WEEE Compliance
- Protection Level: IP66, IEC60529, NEMA 250

Input & Output

- Input :100-240Vac 2A 50Hz~60Hz
- Output: 55Vdc 550mA (Per Port)
- Power Output Pins: 3/6(+), 1/2(-)
- Data Speed: 10/100/1000Mbps

Working Environment

- Operating Temperature: -40℃ to 65℃
- Operating Humidity: 20% to 80%, non-condensation
- Storage Temperature: -40℃ to 85℃
- Storage Humidity: 10% to 90%, non-condensation
- Operating Altitude: up to 5000meters

AC Surge Protection

- Common mode surge protection(10/700us): 6KV
- Differential mode surge protection (10/700us): 1.5KV

PoE Surge Protection

- Protected line: 1,2,3,4,5,6,7,8
- Common mode surge protection(10/700us): 6KV
- Differential mode surge protection (10/700us): 1.5KV

Mechanical Characteristics

- Case: Metal
- Color: White
- Mounting: Wall-mounted/Pole-mounted
- IP Rated: IP66
- Size: 176mm X 269mm X 65mm
- Weight: 1.8kg

Safety Approvals

- IP66

EMI

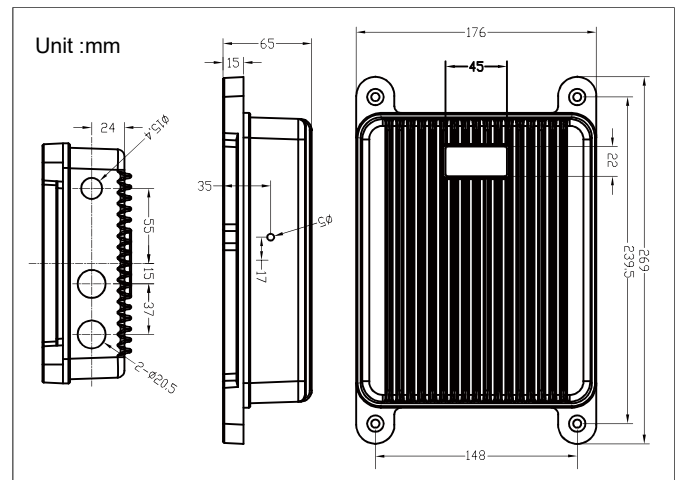
- FCC CFR47 Part 15, EN55024, EN55032

EMS

- IEC61000-4-2(ESD) ± 6 kV(contact), ± 8 kV(air)
- IEC61000-4-3(RS) 10V/m(80MHz~2GHz)
- IEC61000-4-4(EFT) Power Port: ± 2 kV; Data Port: ± 1 kV
- IEC61000-4-5(Surge) Power Port: ± 1 kV/DM, ± 2 kV/CM
- IEC61000-4-6(CS) 10V(150kHz~80MHz)

Immunity

- IEC60068-2-6(Vibration)
- IEC60068-2-27(Impact)
- IEC60068-2-32(Free Fall)



Order Info. PT-POS401GRF-OT 55Vdc/30W Per Port/1000M/3,6(+), 1,2(-)/Surge Protection/IP66/Active

Packing PT-POS401GRF-OT
Manual x 1

Option PT-POT-MBK Outdoor installation Kit



This document belongs to PROCET company. It is not allowed to reproduce and modify without the original author's permission. It is PROCET's policy to improve its products as new technology, components, software, and firmware at any time. PROCET, therefore, reserves the right to change specifications without prior notice. (2018.05)