



PT-POS301GBRF-OT

## Outdoor 3-port PoE Switch

### Product Overview

PT-POS301GBRF-OT is a 3-port PoE switch with waterproof metal casing. It has sealing gasket inside which passed extension, bearing, corrosion, aging test. 3 ports include 1 SFP port and 2 PoE output ports with 6KV (10/700us) surge protection, each PoE output port provides 55Vdc, 1.1A power for remote PDs. It supports 10/100/1000Mbps of data speed.

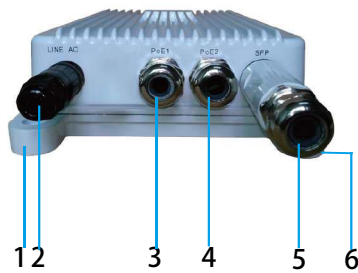
It is compliant with IEEE802.3bt standard and is also compatible to use with any IEEE802.3at standard equipments, such as wireless APs, network camera, VoIP phone, base stations, and other high power Ethernet terminals.

PT-POS301GBRF-OT is designed for outdoor using. It works with input voltage of 100-240Vac and operates under -40°C to +65°C. It has detection chip inside, which will detect and classify PD before powering it. It will not provide power until a standard-compliant PD is detected. The effective distance is 100 meters over Cat5e/Cat6 cables.

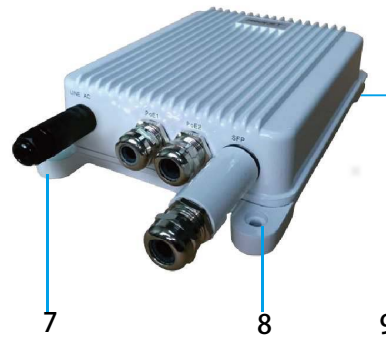
It is specially suitable for working in complex power situations. It is easy to install with installation kit PT-POT-MBK, no need to open the equipment.



### Product Profile

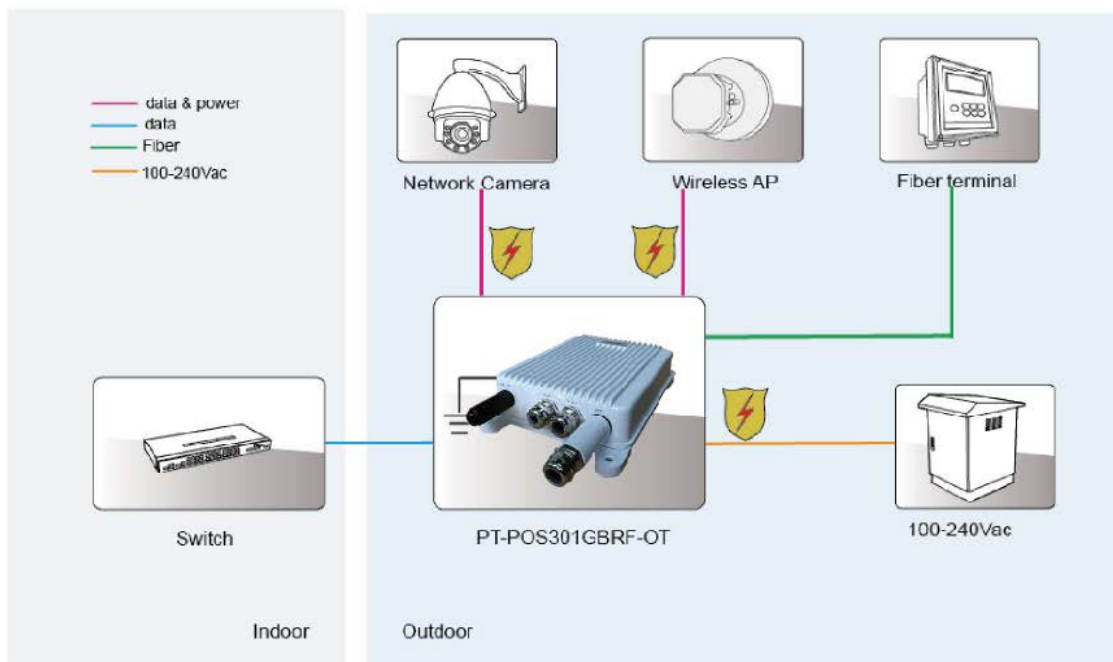


- 2. LINE AC: AC Power Input Port
- 3. PoE 1: Data&Power Output Port
- 4. PoE 2: Data&Power Output Port
- 5. SFP: Data Input Port



- 1,6,7,8. Mounting Hole
- 9. Earth

### Product Working Diagram



## Specification

### Standard

- IEEE802.3 10Base-T Ethernet
- IEEE802.3u 100Base-Tx Fast Ethernet
- IEEE802.3ab 1000Base-T Gigabit Ethernet
- Compliant with IEEE802.3af/at, PoE++
- RoHS Compliance
- WEEE Compliance
- Protection Level: IP66, IEC60529, NEMA 250

### Input & Output

- Input :100-240Vac 2.0A 50Hz ~60Hz
- Output: 55Vdc 1100mA (Per Port)
- Total Output Power: 120W @ ( -40°C to 65°C)
- Total Output Power: 95W @ ( -40°C to 65°C)
- Power Output Pins: 3/6(+), 1/2(-), 4/5(+), 7/8(-)
- Data Speed: 10/100/1000Mbps

### Working Environment

- Operating Temperature: -40°C to 65°C
- Operating Humidity: 20% to 80%, non-condensation
- Storage Temperature: -40°C to 85°C
- Storage Humidity: 10% to 90%, non-condensation
- Operating Altitude: up to 5000meters

### AC Surge Protection

- Line-Line 1.2/50us(8/20us): 4KV
- Line-Earth 1.2/50us(8/20us): 6KV

### PoE Surge Protection

- Protected line: 1,2,3,4,5,6,7,8
- Common mode surge protection(10/700us): 6KV
- Differential mode surge protection (10/700us): 1.5KV

### Mechanical Characteristics

- Case: Metal
- Color: White
- Mounting: Wall-mounted/Pole-mounted
- IP Rated: IP66
- Size: 176mm X 269mm X 65mm
- Weight: 1.8kg

### Safety Approvals

- IP66

### EMI

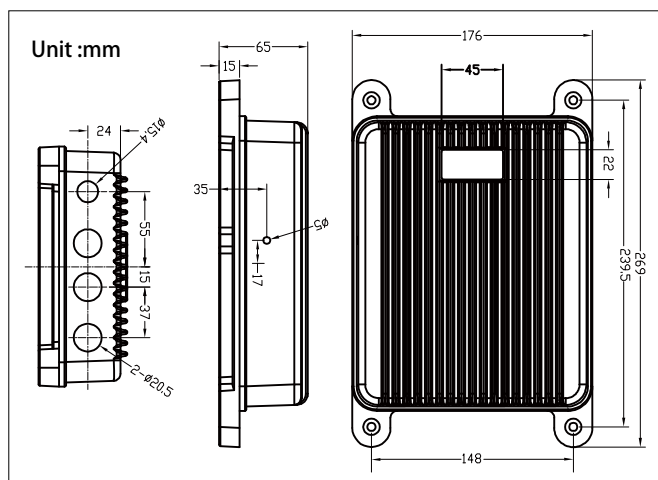
- FCC CFR47 Part 15, EN55024, EN55032

### EMS

- IEC61000-4-2(ESD)  $\pm 6$ kV(contact),  $\pm 8$ kV(air)
- IEC61000-4-3(RS) 10V/m(80MHz~2GHz)
- IEC61000-4-4(EFT) Power Port:  $\pm 2$ kV; Data Port: $\pm 1$ kV
- IEC61000-4-5(Surge) Power Port: $\pm 1$ kV/DM,  $\pm 2$ kV/CM
- IEC61000-4-6(CS) 10V(150kHz~80MHz)

### Immunity

- IEC60068-2-6(Vibration)
- IEC60068-2-27(Impact)
- IEC60068-2-32(Free Fall)



**Order Info.** PT-POS301GBRF-OT 55Vdc/60W Per Port/1000Mbps/ 3,6(+), 1,2(-), 4,5(+), 7,8(-) /Surge Protection/IP66/Active

**Packing** PT-POS301GBRF-OT  
Manual x 1

**Option** PT-POT-MBK Outdoor installation Kit

This document belongs to PROCET company. It is not allowed to reproduce and modify without the original author's permission. It is PROCET's policy to improve its products as new technology, components, software, and firmware at any time. PROCET, therefore, reserves the right to change specifications without prior notice. (2019.05)