



**PT-PSE105GW-AC**

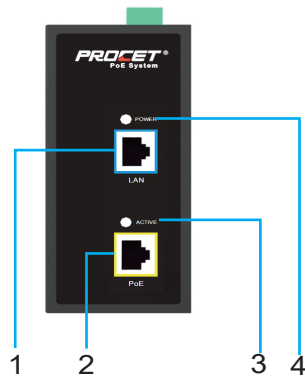
**AC/DC Input 1-Port 60W PoE Injector**

**Product Overview**

PT-PSE105GW-AC is a single port, industrial-scale PoE injector. It provides 60W power for remote PDs over full 4 pairs output with 6KV (10/700us) surge protection. It supports 10/100/1000Mbps of data speed. It works for 60W PoE PDs, such as wireless access points, network cameras, base station, Microwave radio and other high power Ethernet terminals. It is also compatible and safe to use with any IEEE802.3 at/af/bt compliant terminals.

PT-PSE105GW-AC is designed for indoor use but can work outdoor by covered with waterproof case. It works with input voltage of 100-240Vac/44-57Vdc and operates under -40°C to 65°C. It has detection chip inside, which will detect and classify PD before powering it. It will not apply power until a standard-compliant PD is detected. The effective distance is 100 meters over Cat5e/Cat6 cables. This model equipped standard DIN rail mounting bracket, which can easily jam into the guide rail.

**Product Profile**

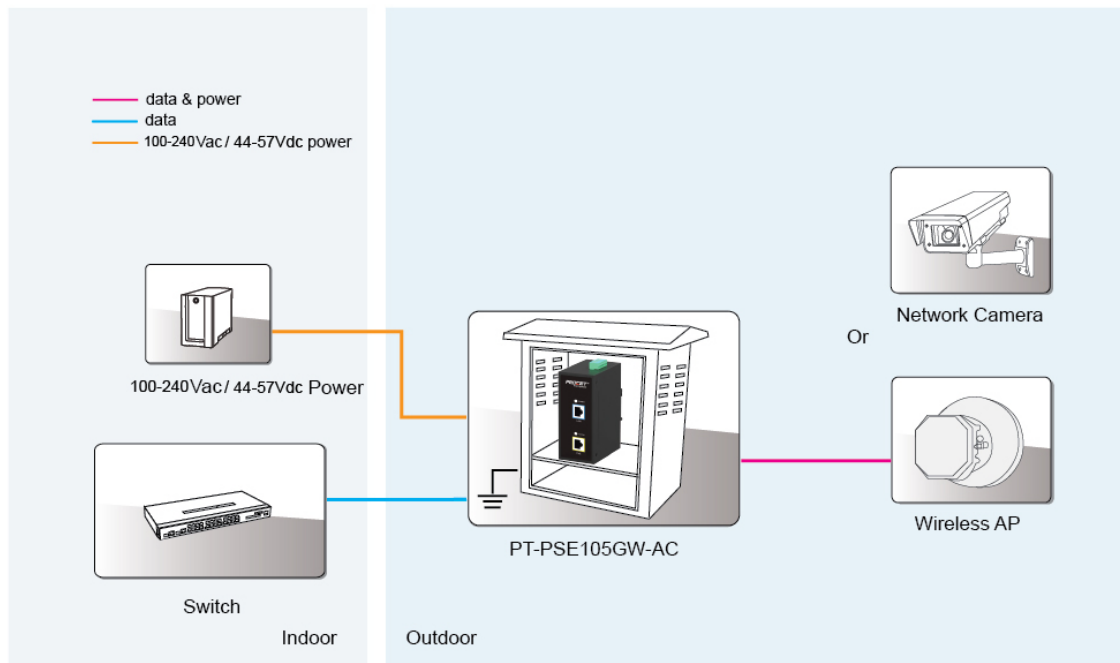


- 1. LAN: Data input port
- 2. PoE: Data&Power Output Port
- 3. PoE Load indicator
- 4. Vac/Vdc Power indicator



- 5. 100-240Vac/44-57Vdc input port
- 6. DIN rail mounting bracket
- 7. Earth

**Product Working Diagram**



## Specification

### Standard

- IEEE802.3 10Base-T Ethernet
- IEEE802.3u 100Base-Tx Fast Ethernet
- IEEE802.3ab 1000Base-T Gigabit Ethernet
- Full compliant with IEEE802.3af/at/bt
- RoHS Compliance
- WEEE Compliance

### Input & Output

- Input : 100-240Vac / 44-57Vdc
- Output: 60W
- Power Pins: 4/5(+), 7/8(-) & 3/6(+), 1/2(-)
- Data Speed: 10/100/1000Mbps

### Working Environment

- Operating Temperature: -40 C to 65 C
- Operating Humidity: 20% to 80%, non-condensation
- Storage Temperature: -40 C to 85 C
- Storage Humidity: 10% to 90%, non-condensation
- Operating Altitude: up to 5000meters

### PoE Surge Protection

- Protected line: 1,2,3,4,5,6,7,8
- Common mode surge protection(10/700us): 6KV
- Differential mode surge protection (10/700us): 1.5KV

### Mechanical Characteristics

- Case: Metal
- Color: Black
- Mounting: DIN-rail
- IP Rated: IP40
- Size: 144.5mm X 104.2mm X 60mm
- Weight: 819g

### EMI

- FCC CFR47 Part 15, EN55024, EN55032

### EMS

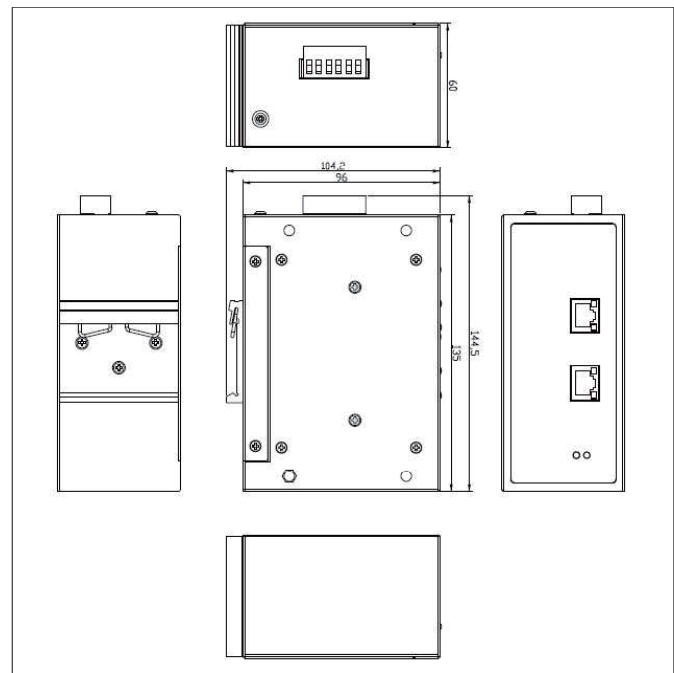
- IEC61000-4-2(ESD)  $\pm 6kV$ (contact),  $\pm 8kV$ (air)
- IEC61000-4-3(RS) 10V/m(80MHz~2GHz)
- IEC61000-4-4(EFT) Power Port:  $\pm 2kV$ ; Data Port: $\pm 1kV$
- IEC61000-4-5(Surge) Power Port: $\pm 1kV/DM$ ,  $\pm 2kV/CM$
- IEC61000-4-6(CS) 10V(150kHz~80MHz)

### Immunity

- IEC60068-2-6(Vibration)
- IEC60068-2-27(Impact)
- IEC60068-2-32(Free Fall)

### LED Indicator

- Power Indicator : Green
- PoE Load Indicator : Yellow



**Order Info.** PT-PSE105GW-AC 100-240Vac 44-57Vdc Input/60W Output/1000Mbps/(4,5+,7,8-) &(3,6+,1,2-)/Surge Protection/Active

**Packing** PT-PSE105GW-AC  
Ground lug Wire: 16AWG  
Manual x 1