



PT-PSE108GBRF-OT

Outdoor Fiber port 95W PoE

Introduction

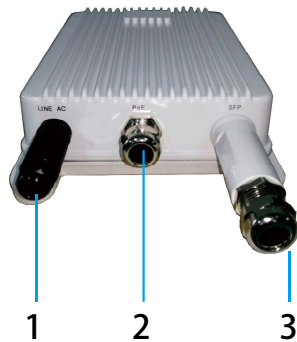
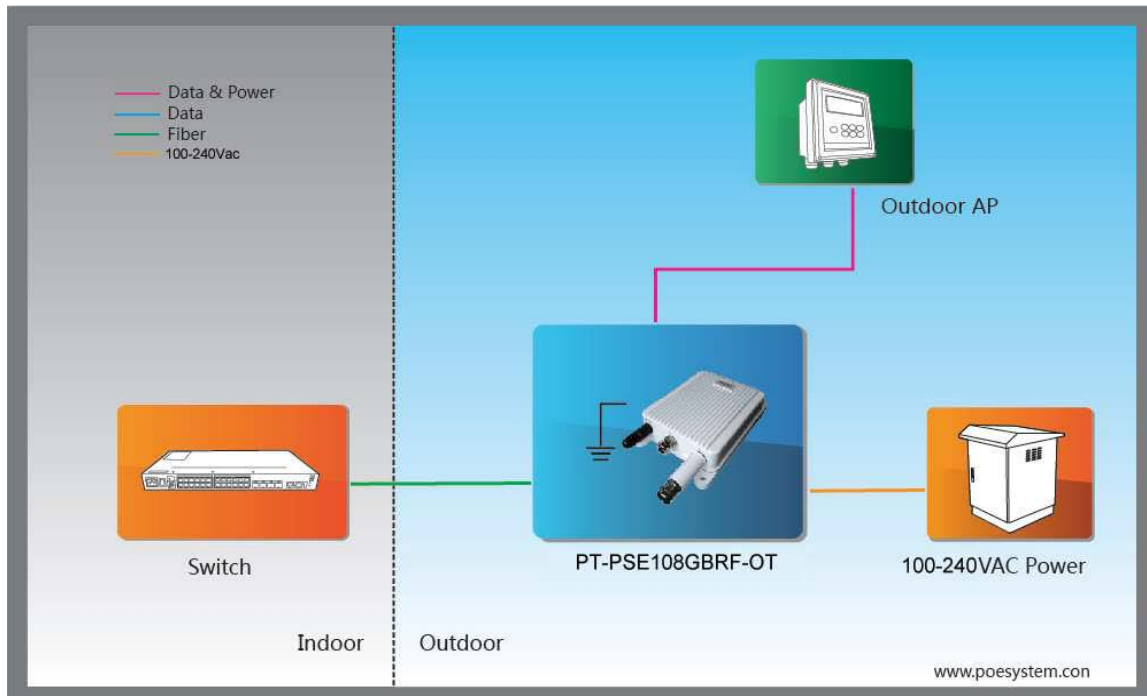
PT-PSE108GBRF-OT is an outdoor rated fiber PoE specially designed for exterior, complex backhaul and networking applications.

Enclosed in a IP67 Reflective metal case with a sealing that gasket passes tension, bearing, corrosion, and aging test for IP67 applications.

The single output PoE port delivers 55VDC, 95W power for remote PD with 6KV(10/700us) surge protection and supports 10/100/1000Mbps(Gigabit) data speed.

PT-PSE108GBRF-OT works with 100-240Vac input and operates under -40°C to +65°C . It will directly power PDs without detecting. The effective distance is 100 meters over Cat5e/Cat6 cables. The PoE output port support IEEE802.3af/at, PoE++ standard making it compatible with PoE or PoE+ or PoE++ devices, such as wireless APs, IP cameras, VoIP phones, base stations, and other high-power Ethernet backhaul devices. It is easy to install with installation kit PT-POT-MBK, no need to open equipment.

Work Functional Picture



1. AC Power Input Port
2. PoE Power Output Port
3. SFP Port(Data Input)

4. 5.Install Hole
6. Earth

Key Features

- Outdoor using, 1SFP port, 1 PoE port
- Output 55V, current 1.75A, power 95W
- Power pins: 1/2(-), 3/6(+) & 4/5(+), 7/8(-)
- Provide signal and PoE output, lightning protection 6KV
- Wide temperature design: -40C to +65°C
- Metal casing, waterproof, dustproof, IP67
- Sealing gasket past extension, bearing, corrosion, aging test
- Easy install with install hole, no need to open equipment
- Provide power for IEEE802.3af/at compliant terminal equipment

Specification

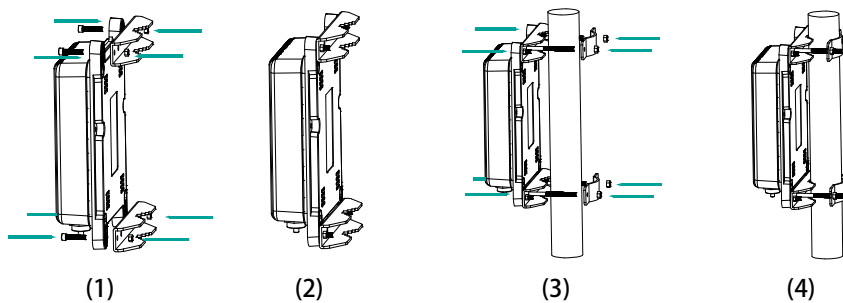
Standard

- IEEE802.3 10Base-T Ethernet
- IEEE802.3u 100Base-Tx Fast Ethernet
- IEEE8.2.3ab 1000Base-T Gigabit Ethernet
- Support PD with IEEE802.3af/IEEE802.3at standard
- RoHS Compliant
- WEEE Compliant,
- FCC Part 15, Class B
- EN 55022 Class B
- MTBF: 100,000h.@25 °C
- Protection Level: IP67, IEC60529, NEMA 250

PoE Power Output

- Port No.: 1
- Ethernet Pins: 1/2(-), 3/6(+) & 4/5(+), 7/8(-)
- Data rate: 10/100/1000Mbps
- Output voltage: 55Vdc
- Output current: 1.75A
- Input AC voltage: 100-240VAC
- Input AC current: 2A@ 100-240VAC
- AC Hz: 50-60Hz

MBK Installation Structure



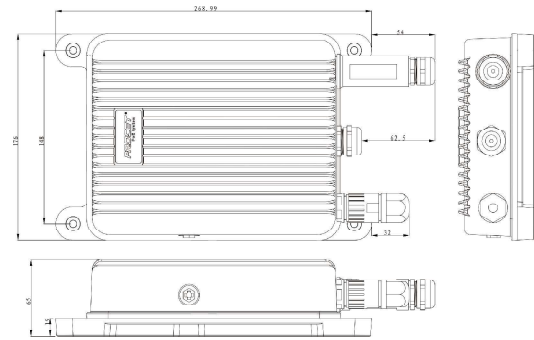
Ordering Info: PT-PSE108GBRF-OT 55VDC/95W/1000Mbps/Outdoor IP67/Surge Protection

Product packing: PT-PSE108GBRF-OT x 1
Product manual x 1

Option: PT-POT-MBK Outdoor installation Kit

Outline Drawing

Unit: mm



Dimension & Weight

- Dimension: 176mm X 269mm X 65mm
- Weight : 1.8kg

Environmental & Conditions

- Operating Temperature: -40°C to +65°C
- Operating Height: -304.8meters to 3048meters
- Operating Humidity: Maximum 90%, Non-condensing

AC Input Surge Protection

- Line-Line 1.2/50us(8/20us): 4KV
- Line-Earth 1.2/50us(8/20us): 6KV

Network Signal Protection

- Protected pins: 1,2,3,4,5,6,7,8

PoE power output surge protection

- Protected pins: 1, 2, 3, 4, 5, 6, 7, 8
- Line-Line(10/700us): 1.5KV
- Line - Earth(10/700us): 6KV
- Power clamp voltage(4,5-7,8 & 1,2-3,6): 60Vdc