



**PT-PR02G**

## Dual Port PoE Surge Protector

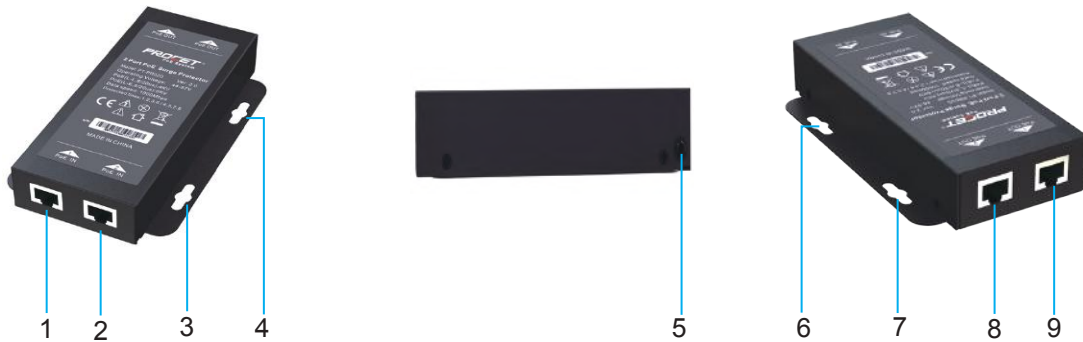
### Product Overview

PT-PR02G is a dual port PoE surge protector, which has 2 input ports and 2 output ports. It supports 8 lines network signals and provides surge protection for PoE wires. The maximum common mode surge voltage is 10KV(10/700us) and differential mode surge voltage is 6KV(10/700us). It supports 100/1000Mbps of data speed. It also supports PoE wires with IEEE802.3af/at/PoE++ standard and protects your devices against surge damage.

PT-PR02G is designed for indoor use with a metal casing, which works with a voltage of 44-57Vdc and operates under -40°C to 65°C. It is connected to a network over Cat-5e/Cat6 cables with RJ45 connectors conveniently and tightly. It can be easily installed with 4 mounting holes.



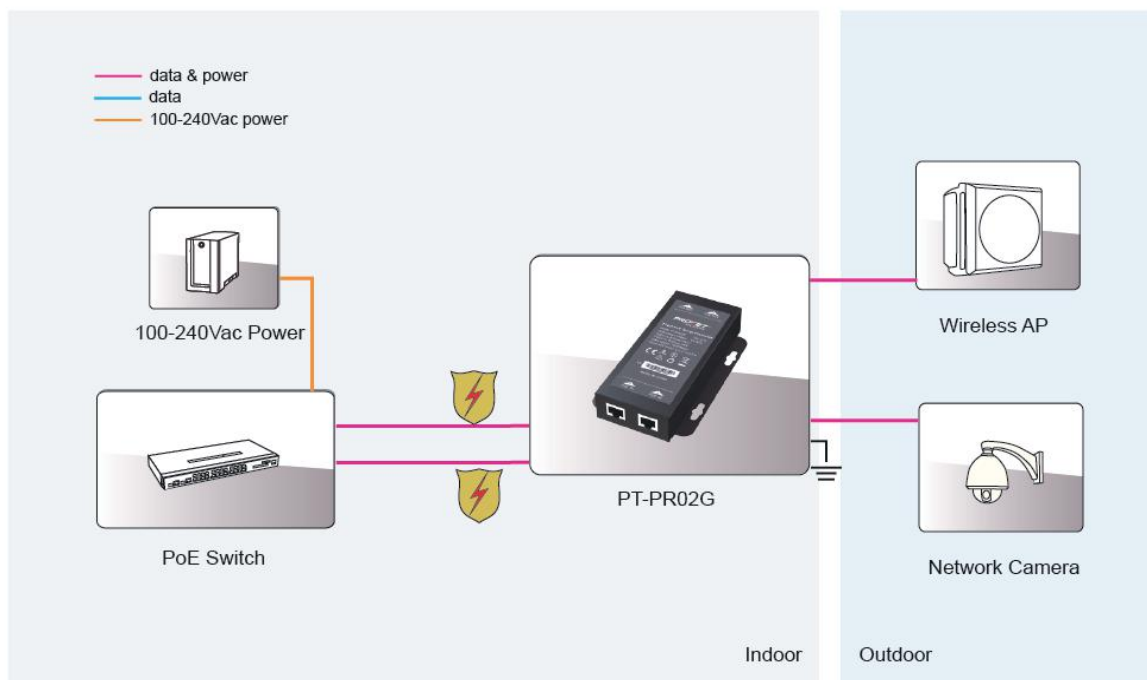
### Product Profile



- 1. Surge Protector Input Port 1
- 2. Surge Protector Input Port 2
- 3.4.6.7. Mounting Hole

- 5. Earth
- 8. Surge Protector Output Port 2
- 9. Surge Protector Output Port 1

### Product Working Diagram



## Specification

### Standard

- IEEE802.3 10Base-T Ethernet
- IEEE802.3u 100Base-Tx Fast Ethernet
- IEEE802.3ab 1000Base-T Gigabit Ethernet
- Support PoE wire with IEEE802.3af/at standards
- Support 60W PoE++ standards
- RoHS Compliance
- WEEE Compliance

### Input & Output

- Operating Voltage :44-57Vdc, (Max 60Vdc)
- Maximum Operating DC Current :1A for 2 pairs,  
2A for 4 pairs,  
maximum 95W
- Power Pins: 4/5(+), 7/8(-) and 3/6(+), 1/2(-)
- Data Speed: 10/100/1000Mbps

### Working Environment

- Operating Temperature: -40 °C to 65 °C
- Operating Humidity: 20% to 80%, non-condensation
- Storage Temperature: -40 °C to 85 °C
- Storage Humidity: 10% to 90%, non-condensation
- Operating Altitude: up to 5000meters

### PoE Surge Protection

- Max Discharge Current: 20KA(8/20us,2.5KA per line)
- Protected Line: 1,2,3,4,5,6,7,8
- Common Mode Protection Level(10/700us): 10KV
- Differential Mode Protection Level(10/700us): 6KV
- Clamping Voltage(Line to GND): 300V
- Clamping Voltage(Line to Line): 10V
- Insertion Loss @10MHz/100MHz: -1db
- Return Loss @10MHz/100MHz: -20db
- Response Time: 5ns

### Mechanical Characteristics

- Case: Metal
- Color: Black
- Mounting: Wall-mounted
- IP Rated: IP40
- Size: 145mm X 86.4mm X 26mm
- Weight: 260g

### Safety Approvals

- CE

### EMI

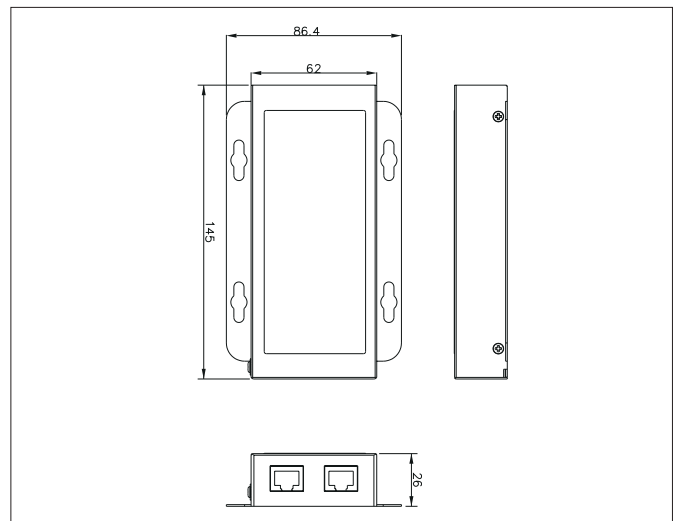
- FCC CFR47 Part 15, EN55024, EN55032

### EMS

- IEC61000-4-2(ESD)  $\pm 6kV$ (contact),  $\pm 8kV$ (air)
- IEC61000-4-3(RS) 10V/m(80MHz~2GHz)
- IEC61000-4-4(EFT) Power Port:  $\pm 2kV$ ; Data Port: $\pm 1kV$
- IEC61000-4-5(Surge) Power Port: $\pm 1kV/DM$ ,  $\pm 2kV/CM$
- IEC61000-4-6(CS) 10V(150kHz~80MHz)

### Immunity

- IEC60068-2-6(Vibration)
- IEC60068-2-27(Impact)
- IEC60068-2-32(Free Fall)



**Order Info.** PT-PR02G 2 Port PoE Surge Protector/44-57Vdc/1000Mbps/10KV Surge Protection/Indoor use

**Packing** PT-PR02G  
Ground lug Wire: 16AWG  
Manual x 1