



12V Output Gigabit PoE Splitter

PT-PD208G-12

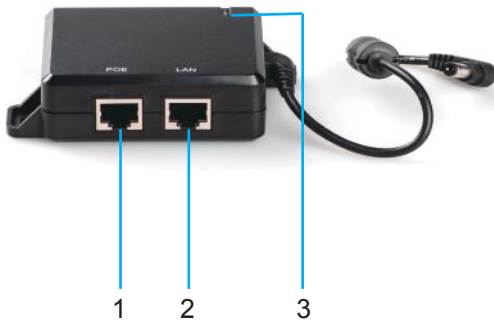
Product Overview

PT-PD208G-12 is a single port PoE splitter. It works as a converter separating power and data from PoE injector and delivering power and data to non-PoE devices. The output power is 12Vdc 1.5A. It supports 10/100/1000Mbps of data speed. It works for 18W non-PoE PDs, such as network phone, wireless AP, network camera ONU (Optical Network Unit).

PT-PD208G-12 is designed for indoor use. It works with input voltage of 36-57Vdc from PoE injector. The effective distance is 100 meters over Cat5e/Cat6 cables. The model is small in size and easy to install with two mounting holes. It is of high quality but lower in cost.



Product Profile

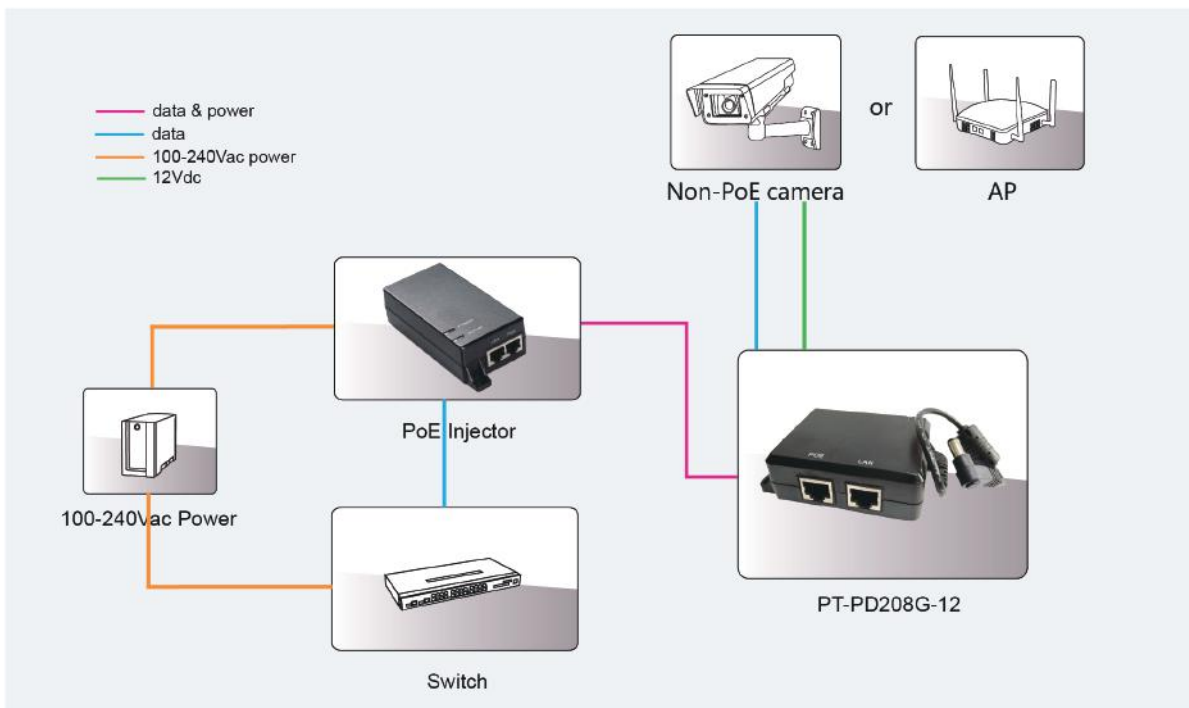


1. PoE: Data&Power input port
2. LAN: Data output port
3. Power output indicator



4. DC power output connector
- 5.6. Mounting hole

Product Working Diagram



Specification

Standard

- IEEE802.3 10Base-T Ethernet
- IEEE802.3u 100Base-Tx Fast Ethernet
- IEEE802.3ab 1000Base-T Gigabit Ethernet
- Support PoE injector with IEEE802.3af
- RoHS Compliance
- WEEE Compliance

Input & Output

- Input :36-57Vdc (Typical 48V) 0.5A
- Output: 12Vdc 1500mA
- Power Pins: 4/5(+), 7/8(-) or 3/6(+),1/2(-)
- Data Speed: 10/100/1000Mbps

Working Environment

- Operating Temperature: 0℃ to 40℃
- Operating Humidity: 20% to 80%, non-condensation
- Storage Temperature: -20℃ to 70℃
- Storage Humidity: 10% to 90%, non-condensation
- Operating Altitude: up to 2000meters

Mechanical Characteristics

- Case: Plastic
- Color: Black
- Mounting: Wall-mounted
- IP Rated: IP40
- Size: 101mm X 61mm X 29mm
- Weight: 119g

Safety Approvals

- CE

EMI

- FCC CFR47 Part 15, EN55024, EN55032

EMS

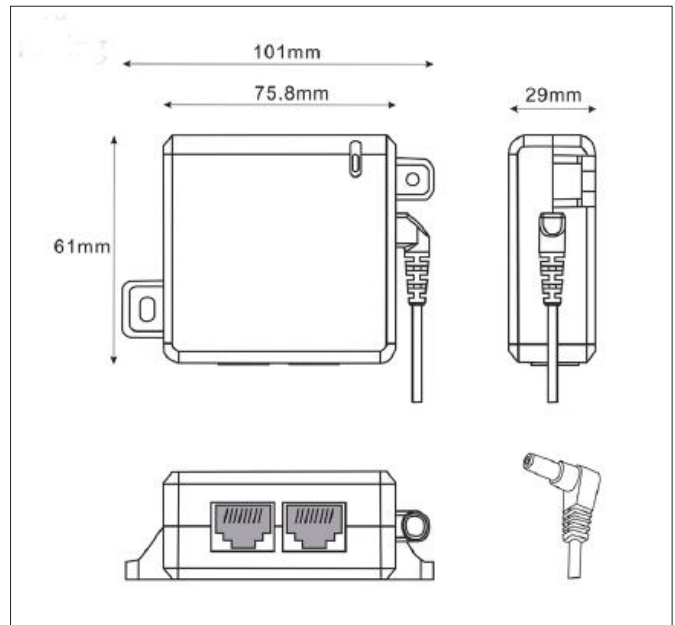
- IEC61000-4-2(ESD) ± 6kV(contact), ±8kV(air)
- IEC61000-4-3(RS) 10V/m(80MHz~2GHz)
- IEC61000-4-4(EFT) Power Port: ±2kV; Data Port:±1kV
- IEC61000-4-5(Surge) Power Port:±1kV/DM, ±2kV/CM
- IEC61000-4-6(CS) 10V(150kHz~80MHz)

Immunity

- IEC60068-2-6(Vibration)
- IEC60068-2-27(Impact)
- IEC60068-2-32(Free Fall)

LED Indicator

- Power output Indicator : Green



Order Info. PT-PD208G-12

12Vdc/1.5A/1000Mbps/4,5(+),7,8(-) or 3/6(+),1/2(-)

Packing. PT-PD208G-12
Manual x 1

This document belongs to PROCET company. It is not allowed to reproduce and modify without the original author's permission. It is PROCET's policy to improve its products as new technology, components, software, and firmware at any time. PROCET, therefore, reserves the right to change specifications without prior notice. (2019.11)